



## RESTAURANT RANGES

# CHALLENGER XL GAS RESTAURANT RANGE

## 36" GRIDDLE

### 36" WIDE GAS RANGE



**Model C36S-36G-N**  
(shown with optional casters)



### SPECIFICATIONS

36" wide gas restaurant range, Wolf Model No. C36S-36G-N. Fully MIG welded aluminized steel frame for added durability. Stainless steel front, sides, backriser, highshelf and 6" adjustable legs. Extra deep crumb tray with welded corners. 36" manual griddle,  $\frac{7}{8}$ " thick, 4" wide grease trough. Burner knobs are cool to the touch, high temperature material. One oven: 35,000 BTU/hr. standard bakers depth ovens with porcelain oven bottom and door panel, measures 27"d x 26 $\frac{3}{8}$ "w x 14"h. Oven thermostat adjusts from 250°F to 500°F with a low setting. Oven is supplied with two racks, two rack guide sets, and four rack positions. Oven door is heavy duty with an integrated door hinge/spring mechanism requiring no adjustment.  $\frac{3}{4}$ " rear gas connection and pressure regulator. Total input 95,000 BTU/hr.

### Exterior Dimensions:

34"d x 36"w x 58"h on 6" adjustable legs

- C36S-36G-N** 1 Standard Oven / Natural Gas
- C36S-36G-P** 1 Standard Oven / Propane
- C36C-36G-N** 1 Convection Oven / Natural Gas
- C36C-36G-P** 1 Convection Oven / Propane

### STANDARD FEATURES

- Fully MIG welded frame
- Stainless steel front, sides, backriser, lift-off high shelf
- 6" stainless steel adjustable legs
- 36" manual griddle,  $\frac{7}{8}$ " thick, 4" wide front grease trough
- Extra deep pull out crumb tray with welded corners
- 35,000 BTU/hr. baker's depth standard oven cavity, full size sheet pans fit side-to-side or front-to-back.
- Oven thermostat adjusts from 250°F to 500°F
- Two oven racks and four rack positions
- 35,000 BTU/hr. convection oven in place of standard oven, 24"d x 26 $\frac{3}{8}$ "w x 13 $\frac{7}{8}$ "h (115v - 1 phase blower motor 4 amp, 6' cord and plug), includes three oven racks. Full size sheet pans only fit side-to-side in convection oven.
- One year limited parts and labor warranty

### ACCESSORIES (Packaged & Sold Separately)

- Extra oven rack with rack guides
- Casters (set of four)
- Leveling casters (set of four)
- Flanged feet (set of four)
- 10" stainless steel stub back
- Reinforced high shelf for mounting salamander broiler

### OPTIONS (Factory Installed)

- Thermostatically controlled griddle (snap action)



a division of ITW Food Equipment Group LLC

# CHALLENGER XL GAS RESTAURANT RANGE

## 36" GRIDDLE

### 36" WIDE GAS RANGE

#### INSTALLATION INSTRUCTIONS

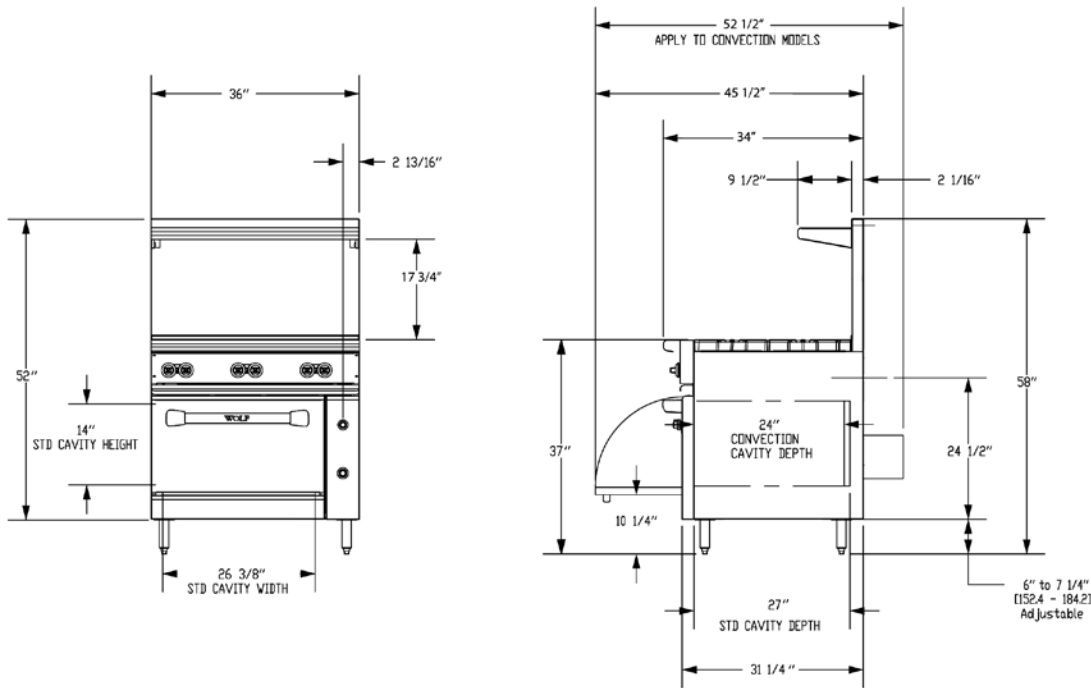
1. A pressure regulator sized for this unit is included. Natural gas 5.0" W.C., propane gas 10.0" W.C.
2. Gas line connecting to range must be  $\frac{3}{4}$ " or larger. If flexible connectors are used, the inside diameter must be  $\frac{3}{4}$ " or larger.
3. An adequate ventilation system is required for commercial cooking equipment. Information may be obtained by writing to the National Fire Protection Association, 1 Batterymarch Park, Quincy, MA 02269, www.NFPA.org. When writing, refer to NFPA No. 96.
4. These units are manufactured for installation in accordance with ANSZ223.1A (latest edition), National Fuel Gas Code. Copies may be obtained from The American Gas Association, 400 N Capitol St. NW, Washington, DC 20001, www.AGA.org.

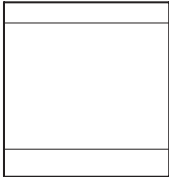
5. **Clearances**

	Rear	Sides
Combustible	6"	10"
Standard Oven Non-combustible	0"	0"
Convection Oven Non-combustible	Min. 4"	0"
6. For proper combustion, install equipment on adjustable legs or casters provided with unit.

**NOTE:** In line with its policy to continually improve its product, Wolf reserves the right to change materials and specifications without notice.

**Specify type of gas when ordering.**  
**Specify altitude when above 2,000 feet.**



TOP CONFIGURATION	MODEL NUMBER	DESCRIPTION	TOTAL INPUT BTU / HR	SHIPPING WEIGHT LBS / KG
	<b>C36S-36G-N</b>	1 Standard Oven / 36" Griddle / Natural Gas	95,000	610 / 277
	<b>C36S-36G-P</b>	1 Standard Oven / 36" Griddle / Propane	95,000	610 / 277
	<b>C36C-36G-N</b>	1 Convection Oven / 36" Griddle / Natural Gas	95,000	660 / 299
	<b>C36C-36G-P</b>	1 Convection Oven / 36" Griddle / Propane	95,000	660 / 299

This appliance is manufactured for commercial use only and is not intended for home use.