

S T E A M**VULCAN****VSKTEC
STAND FOR COUNTER
BRAISING PANS & KETTLES**

Model VSKTEC



- VSKTEC** 29.5" wide, stand for K6ETT & K12ETT self-contained kettles & VECTS12 & VECTS16 electric braising pans

STANDARD FEATURES

- Stainless steel frame, flanged feet on front and rear.
- Complete with mounting hardware for Vulcan counter braising pans and kettles.
- One year limited parts and labor warranty.

OPTIONS

- Direct kettle adapter for K6TTD and K12TTD direct steam kettles.

SPECIFICATIONS

Counter steam equipment stand, Vulcan-Hart Model VSKTEC. Stainless steel frame, flanged feet on the front and rear. Complete with mounting hardware for Vulcan counter braising pans and kettles.

Exterior Dimensions:

29.5"w x 24"d x 18"h mounting height.

NSF listed.

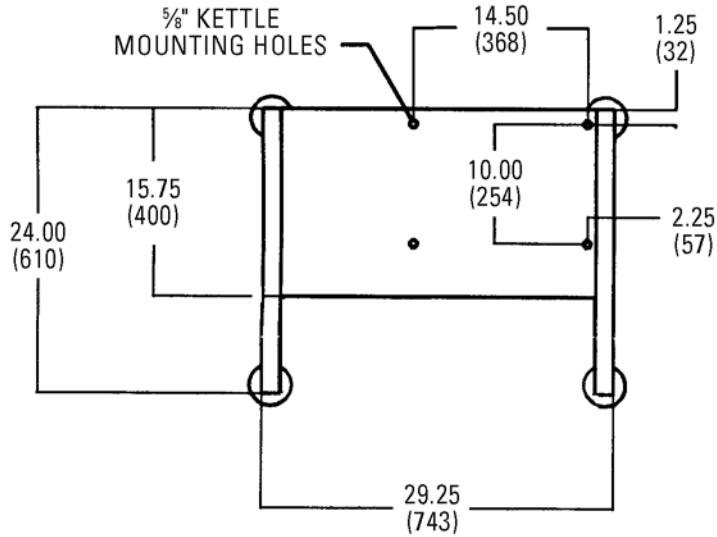
VULCAN

a division of ITW Food Equipment Group LLC

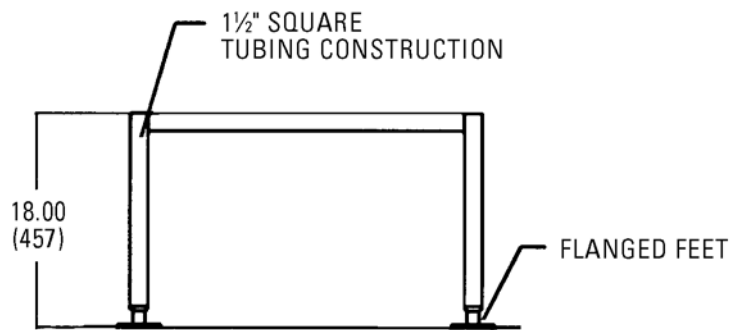
P.O. Box 696 ■ Louisville, KY 40201 ■ Toll-free: 1-800-814-2028 ■ Local: 502-778-2791 ■ Quote & Order Fax: 1-800-444-0602



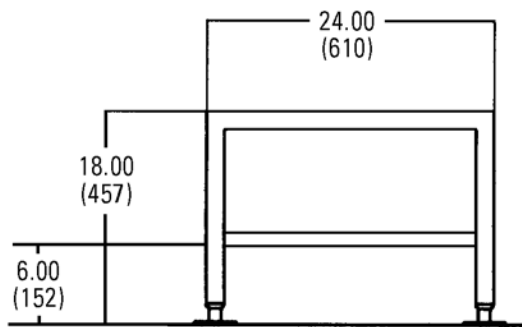
VSKTEC
STAND FOR COUNTER
BRAISING PANS & KETTLES



TOP VIEW



FRONT VIEW



SIDE VIEW



a division of ITW Food Equipment Group LLC

P.O. Box 696 ■ Louisville, KY 40201 ■ Toll-free: 1-800-814-2028 ■ Local: 502-778-2791 ■ Quote & Order Fax: 1-800-444-0602

NOTE: In line with its policy to continually improve its products, Vulcan reserves the right to change materials and specifications without notice.