

COUNTER MODEL STAINLESS STEEL STANDS



Model STAND/C-48

BASIC MODELS

- STAND/C
- STAND/C-VCCB
- STAND/F
- STAND/F-VCCB

STANDARD FEATURES

- Stainless steel construction.
- Welded and smooth blended edges.
- ½" wide marine edges
- STAND/C models have 5" casters with 2 or 3 locking brakes
- STAND/F models have adjustable height flange feet that allow for floor mounting.
- All models have an undershelf
- Will accommodate any arrangement of Vulcan counter top equipment.
- One year limited parts and labor warranty.



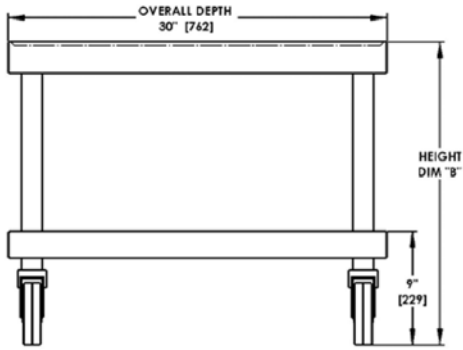
Model STAND/F-48

OPTIONS

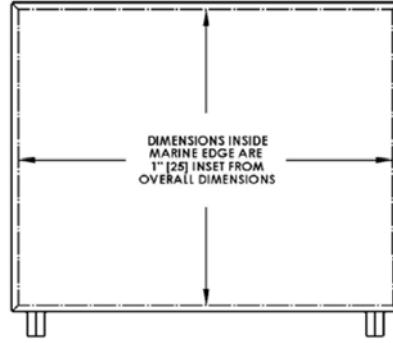
- Product variations available. See your sales representative for product variance requests.



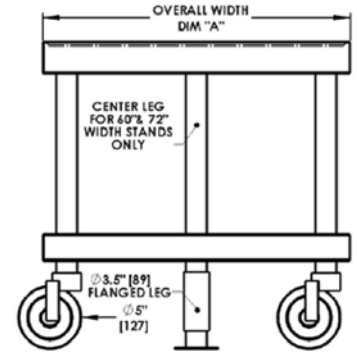
COUNTER MODEL STAINLESS STEEL STANDS



SIDE VIEW



TOP VIEW



FRONT VIEW

PRODUCT FAMILY	ACCESSORY CODE CASTERS	ACCESSORY CODE FLANGED LEGS	DIM "A"	DIM "B"	RESULTING COOKING HEIGHT
900RX	STAND/C-12	STAND/F-12	12"[305]	24"[610]	36"[914]
900RE	STAND/C-24	STAND/F-24	26"[660]		
MSA	STAND/C-36	STAND/F-36	37"[940]		
VACB	STAND/C-48	STAND/F-48	49"[1245]		
VHP	STAND/C-60	STAND/F-60	61"[1550]		
	STAND/C-72	STAND/F-72	73"[1854]		
VCCB	STAND/C-VCCB25	STAND/F-VCCB25	26"[660]	23"[584]	36"[914]
	STAND/C-VCCB36	STAND/F-VCCB36	37"[940]		
	STAND/C-VCCB47	STAND/F-VCCB47	49"[1245]		
	STAND/C-VCCB60	STAND/F-VCCB60	61"[1550]		
	STAND/C-VCCB72	STAND/F-VCCB72	73"[1854]		

NOTE: In line with its policy to continually improve its products, Vulcan-Hart Company reserves the right to change materials and specifications without notice.