

RESTAURANT RANGES



36" ELECTRIC RESTAURANT RANGE

6 FRENCH PLATES



Model EV36-S-6FP-208
shown with adjustable legs

Modular range shipped in multiple cartons



SPECIFICATIONS

36" wide electric restaurant range, Vulcan Model No. EV36-S-6FP-208. Fully MIG welded aluminized steel frame for added durability. Stainless steel front, sides, back riser, plate shelf and 6" adjustable legs. Six 9 1/2" round French plates, 2 KW input per plate. Full width pull out crumb tray located beneath the cooking top. Comes with one standard oversized oven. Oven interior measures 26 1/2"w x 26 3/8"d x 14"h. Comes with one oven rack and three rack positions. Oven door is heavy duty with an integrated door hinge / spring mechanism, requiring no adjustments. 5 KW input. Top browning heat control. Thermostat adjusts from 200°F to 500°F. Oven controls are protected from heat in an insulated side compartment. Requires 208, 240 or 480 volt, 1 or 3 phase power supply. All ranges are shipped in 3 phase and are field convertible to single phase.

Exterior Dimensions:

34"d x 36"w x 58"h on 6" adjustable legs

- EV36-S-6FP-208 6 French Plates / Standard Oversized Oven / 208V
- EV36-S-6FP-240 6 French Plates / Standard Oversized Oven / 240V
- EV36-S-6FP-480 6 French Plates / Standard Oversized Oven / 480V

STANDARD FEATURES

- Fully MIG welded aluminized steel frame for added durability
- Stainless steel front, sides, back riser, shelf and legs
- Six 9 1/2" round, 2 KW French plates with infinite heat control switches. Four position heat switch on 480 volt.
- 5 KW oven with top browning control
- One standard oversized oven, interior measures 26 1/2"w x 26 3/8"d x 14"h
- Full width pull out crumb tray
- Thermostat adjusts from 200°F to 500°F
- Cool to the touch control knobs
- One oven rack and three rack positions
- 18" x 26" sheet pans fit side to side and front to back
- Requires 208, 240 or 480 volt, 1 or 3 phase power supply (ranges shipped in 3 phase and are field convertible to single phase)
- One year limited parts and labor warranty

ACCESSORIES (Packaged and Sold Separately)

- Extra oven rack with two rack guides
- Set of four casters (two locking)
- 10" stainless steel stub back
- ESB36 salamander broiler
- Reinforced high shelf for ESB36 salamander broiler
- Towel bar
- Cutting board
- Condiment rail
- Fryer shield



a division of ITW Food Equipment Group LLC

P.O. Box 696 ■ Louisville, KY 40201 ■ Toll-free: 1-800-814-2028 ■ Local: 502-778-2791 ■ Quote & Order Fax: 1-800-444-0602



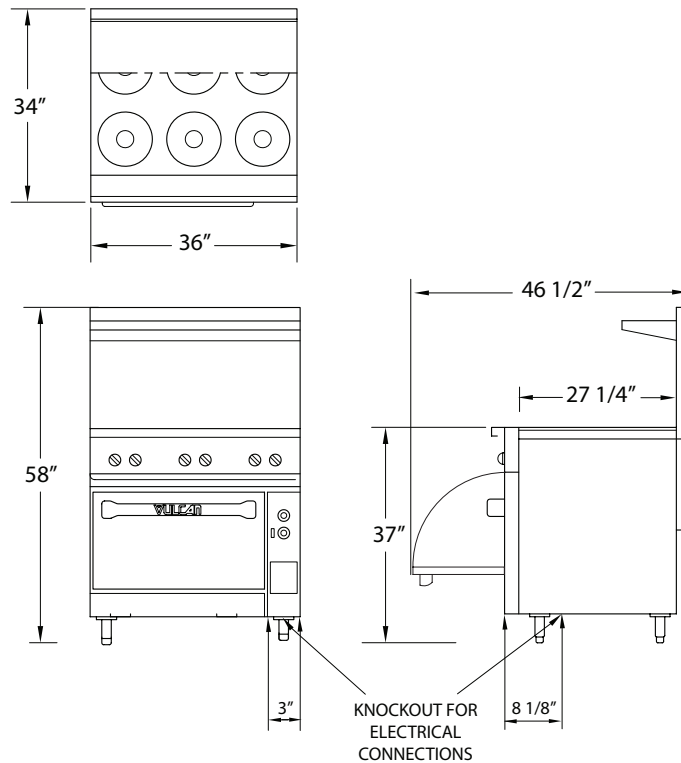
36" ELECTRIC RESTAURANT RANGE 6 FRENCH PLATES

INSTALLATION INSTRUCTIONS

Clearances from Combustible Construction	Rear	Sides
Range only	0"	0"
Range and ESB Salamander Broiler	2"	8"

Clearance Note: Electric Ranges are 0 inches, sides and 0 inches rear from combustible and non-combustible constructions except when hot top sections are incorporated.

Ranges incorporating hot top sections are 0 inches sides and 0 inches rear to non-combustibles and 6 inches sides and 6 inches rear to combustible constructions.



AVAILABLE VOLTAGES - 208, 240 OR 480 VOLT - 1 OR 3 PHASE									
3 PHASE LOADING						NOMINAL AMPS PER LINE WIRE			
MODEL NUMBER	VOLTAGE	TOTAL CONNECTING KW	KW PER PHASE			3 PHASE			1 PHASE
			X-Y	Y-Z	X-Z	X	Y	Z	
EV36-S-6FP-208	208	17.0	4.0	8.0	5.0	37.5	50.0	54.1	81.7
EV36-S-6FP-240	240	17.0	4.0	8.0	5.0	32.5	43.3	46.9	70.8
EV36-S-6FP-480	480	17.0	4.0	8.0	5.0	16.3	21.7	23.5	35.4

This appliance is manufactured for commercial use only and is not intended for home use.



a division of ITW Food Equipment Group LLC

P.O. Box 696 ■ Louisville, KY 40201 ■ Toll-free: 1-800-814-2028 ■ Local: 502-778-2791 ■ Quote & Order Fax: 1-800-444-0602