

RESTAURANT RANGES

24" ELECTRIC RESTAURANT RANGE 2 HOT TOPS



Model EV24-S-2HT-208
shown with adjustable legs

Modular range shipped in multiple cartons



SPECIFICATIONS

24" wide electric restaurant range, Vulcan Model No. EV24-S-2HT-208. Fully MIG welded aluminized steel frame for added durability. Stainless steel front, sides, back riser, plate shelf and 6" adjustable legs. Two 12" x 24" thermostatically controlled hot top sections, 5 KW input. Full width pull out crumb tray located beneath the cooking top. Comes with one standard oven. Oven interior measures 20" w x 26 1/2" d x 14" h. Comes with one oven rack and three rack positions. Oven door is heavy duty with an integrated door hinge / spring mechanism, requiring no adjustments. 5 KW input. Top browning heat control. Thermostat adjusts from 200°F to 500°F. Requires 208 or 240 volt, 1 or 3 phase power supply. All ranges are shipped in 3 phase and are field convertible to single phase.

Exterior Dimensions:

34"d x 24"w x 58"h on 6" adjustable legs

- EV24-S-2HT-208 4 French Plates / Standard Oven / 208V
- EV24-S-2HT-240 4 French Plates / Standard Oven / 240V

STANDARD FEATURES

- Fully MIG welded aluminized steel frame for added durability
- Stainless steel front, sides, back riser, shelf and legs
- Two 12" x 24" thermostatically controlled hot top sections, 5 KW input
- 5 KW oven with top browning control
- One standard oven, interior measures 20" w x 26 1/2" d x 14" h
- Full width pull out crumb tray
- Thermostat adjusts from 200°F to 500°F
- Cool to the touch control knobs
- One oven rack and three rack positions
- 18" x 26" sheet pans fit front to back
- Requires 208 volt or 240 volt, 1 or 3 phase power supply (Ranges shipped in 3 phase and are field convertible to single phase)
- One year limited parts and labor warranty

ACCESSORIES (Packaged and Sold Separately)

- Extra oven rack
- Set of four casters (two locking)
- Towel bar
- Cutting board
- Condiment rail
- Fryer shield



a division of ITW Food Equipment Group LLC

P.O. Box 696 ■ Louisville, KY 40201 ■ Toll-free: 1-800-814-2028 ■ Local: 502-778-2791 ■ Quote & Order Fax: 1-800-444-0602



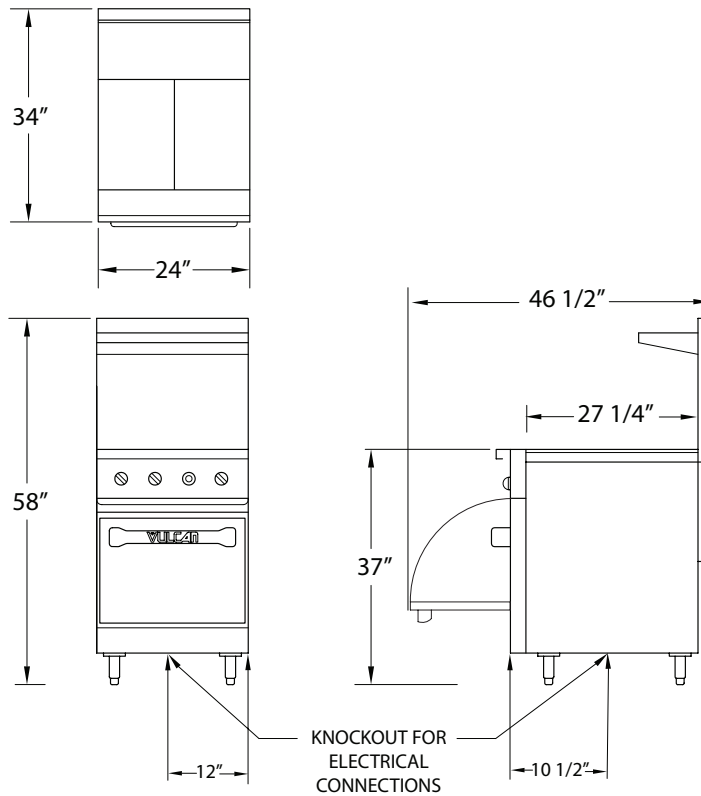
24" ELECTRIC RESTAURANT RANGE 2 HOT TOPS

INSTALLATION INSTRUCTIONS

Clearances from Combustible Construction	Rear	Sides
Range only	0"	0"
Range and ESB Salamander Broiler	2"	8"

Clearance Note: Electric Ranges are 0 inches, sides and 0 inches rear from combustible and non-combustible constructions except when hot top sections are incorporated.

Ranges incorporating hot top sections are 0 inches sides and 0 inches rear to non-combustibles and 6 inches sides and 6 inches rear to combustible constructions.



AVAILABLE VOLTAGES - 208 OR 240 VOLT - 1 OR 3 PHASE									
3 PHASE LOADING						NOMINAL AMPS PER LINE WIRE			
MODEL NUMBER	VOLTAGE	TOTAL CONNECTING KW	KW PER PHASE			3 PHASE			1 PHASE
			X-Y	Y-Z	X-Z	X	Y	Z	
EV24-S-2HT-208	208	15.0	5.0	5.0	5.0	41.6	41.6	41.6	72.1
EV24-S-2HT-240	240	15.0	5.0	5.0	5.0	36.1	36.1	36.1	62.5

This appliance is manufactured for commercial use only and is not intended for home use.



a division of ITW Food Equipment Group LLC

P.O. Box 696 ■ Louisville, KY 40201 ■ Toll-free: 1-800-814-2028 ■ Local: 502-778-2791 ■ Quote & Order Fax: 1-800-444-0602