

# VULCAN

Item # \_\_\_\_\_

C.S.I. Section 11420

## MODEL ECO22D

### DOUBLE DECK HALF SIZE ELECTRIC CONVECTION OVEN



Model ECO22D  
Shown on optional casters



#### SPECIFICATIONS:

Double deck half size electric convection oven, Model No. ECO22D, Manufactured by Vulcan Hart. Each porcelain enamel on steel oven interior measures 15<sup>1</sup>/<sub>4</sub>"w x 21"d x 20"h. Furnished with nine position nickel plated rack guides and five nickel plated racks measuring 14<sup>3</sup>/<sub>8</sub>" x 20<sup>7</sup>/<sub>8</sub>" per section. Heated by enclosed tubular heating elements rated at 5.5 KW per section. 11 KW total input. Stainless steel front, sides, top and rear enclosure panel. Insulation applied to the top, rear, both sides, bottom and door. Stainless steel doors with double pane window. Solid state temperature controls adjustable from 200° to 500°F. 60 minute electrical timers with continuous sounding buzzer. Two speed 1/3 H.P. permanently lubricated oven blower motors. Requires 208/240 volt, 60 Hz, 1 or 3 phase power supply.

Exterior dimensions: 30"w x 28<sup>1</sup>/<sub>4</sub>"d x 68<sup>3</sup>/<sub>8</sub>"h on 16<sup>3</sup>/<sub>4</sub>" legs.

NSF listed. U L listed. U L listed to Canadian safety standards.

#### STANDARD FEATURES

- Stainless steel front, sides, top and rear enclosure panel.
- Stainless steel doors with double pane window.
- Cool to the touch oven door handles.
- Stainless steel oven door gaskets.
- 11 KW total input (5.5 KW per section).
- Solid state temperature controls adjust from 200° to 500°F.
- 60 minute electric timers with time expired buzzer.
- 1/3 H.P. two speed fan motor per deck.
- Oven cool switch for rapid cool down when door is open.
- Oven interior liners are porcelain on steel.
- Nine position rack guides with five nickel plated racks per section.
- 16<sup>3</sup>/<sub>4</sub>" adjustable stainless steel legs.
- Requires 208/240 volt, 60 Hz, 1 or 3 phase power supply.
- One year limited parts and labor warranty.

#### OPTIONS

- 16<sup>3</sup>/<sub>4</sub>" adjustable stainless steel legs with casters.
- Additional oven racks.
- Rack hanger(s).
- Second year extended limited parts and labor warranty.

# VULCAN



A2780  
I50901  
Vulcan Hart Co.

## MODEL: ECO22D Double Deck Half Size Electric Convection Oven

VULCAN-HART COMPANY, P.O. BOX 696, LOUISVILLE, KY 40201, TEL. 1-800-814-2028

502-778-2791 QUOTE & ORDER FAX: 1-800-444-0602

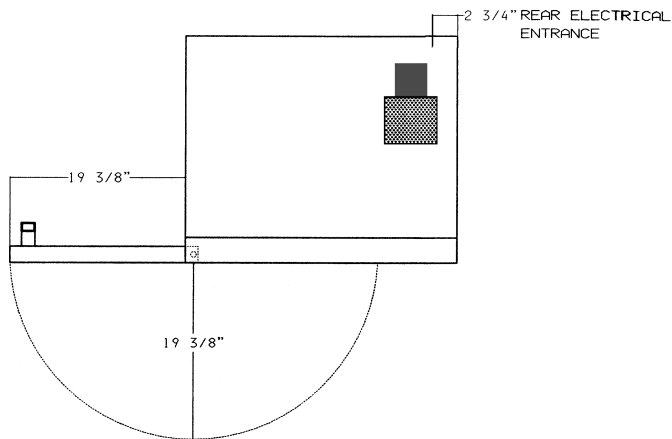
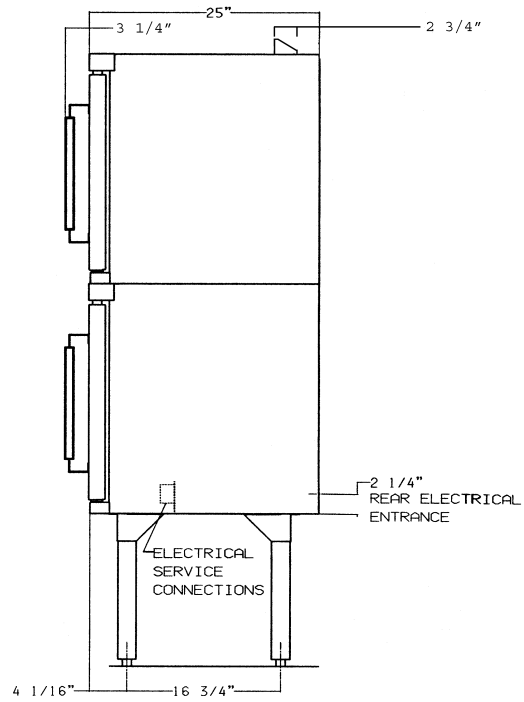
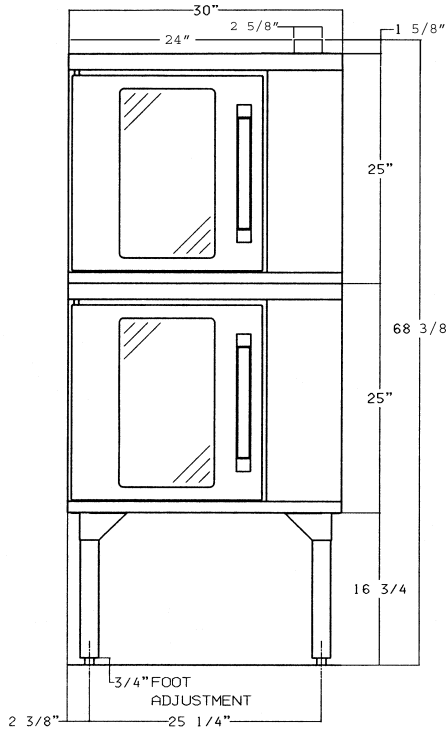


# MODEL ECO22D

## DOUBLE DECK HALF SIZE ELECTRIC CONVECTION OVEN

**NOTE:** This appliance may be installed with 1.0" clearance at the rear and 0" clearance on both sides adjacent to combustible construction.

This appliance is manufactured for commercial installation only and is not intended for domestic/household installation.



### ELECTRICAL DATA

MODEL	TOTAL KW	208, 240Volt - 3 PHASE LOADING KW PER PHASE			NOMINAL AMPS PER LINE WIRE							
					3 PHASE						1 PHASE	
		L1-L2	L2-L3	L1-L3	208V			240V			208V	240V
					L1	L2	L3	L1	L2	L3		
ECO22D	11.0	5.0	0	6.0	46	20	24	40	18	22	52	46

**NOTE:** In line with its policy to continually improve its products, Vulcan-Hart Company reserves the right to change materials and specifications without notice.

VULCAN-HART COMPANY, P.O. BOX 696, LOUISVILLE, KY 40201, TEL. 1-800-814-2028  
502-778-2791 QUOTE & ORDER FAX: 1-800-444-0602