

HEAVY DUTY COOKING**VULCAN****FRB36
36" HEAVY DUTY GAS
SALAMANDER BROILER****Model FRB36****SPECIFICATIONS**

Gas salamander broiler, Vulcan-Hart Model No. FRB36. Stainless steel front, top and sides. Six 11,000 BTU/hr. bar-type burners with stainless steel radiants; 66,000 BTU/hr. total input. Infinite heat control valve. Pilot ignition system. Chrome plated trigger grip control handle provides positive positioning of the broiling carriage. Heavy duty chrome plated broiling grid measures 27½" w x 13" d. Removable full width spillage pan. ¾" top gas connection and gas pressure regulator.

Exterior Dimensions:

36" w x 19" d x 17⅝" h

CSA design certified. NSF listed.

SPECIFY TYPE OF GAS WHEN ORDERING.
SPECIFY ALTITUDE WHEN ABOVE 3,999 FT.

FRB36 Salamander Broiler

NOTE: FRB36 may be used in conjunction with appropriate reinforced range back riser, wall mounted with optional brackets or counter mounted with optional 4" legs.

STANDARD FEATURES

- Stainless steel front, top and sides.
- Infinite adjustment temperature control.
- Six 11,000 BTU/hr. bar type burners with stainless steel radiants; 66,000 BTU/hr total input.
- Standing pilot ignition system.
- Chrome plated trigger grip control handle provides positive positioning of the broiling carriage. Heavy duty chrome plated broiling grid measures 27½" w x 13" d.
- Removable full width spillage pan.
- ¾" top gas connection and gas pressure regulator.
- One year limited parts and labor warranty.

OPTIONS

- Set of wall mount brackets.
- Set of 4" legs with adjustable feet.
- Stainless steel reinforced back riser for range mounting.

VULCAN

a division of ITW Food Equipment Group LLC

P.O. Box 696 ■ Louisville, KY 40201 ■ Toll-free: 1-800-814-2028 ■ Local: 502-778-2791 ■ Quote & Order Fax: 1-800-444-0602



FRB36
36" HEAVY DUTY GAS
SALAMANDER BROILER

INSTALLATION INSTRUCTIONS

1. A gas pressure regulator sized for this unit is included. Natural gas 5.0" W.C., propane gas 10.0" W.C.
2. An adequate ventilation system is required for commercial cooking equipment. Information may be obtained by writing to the National Fire Protection Association, 1 Batterymarch Park, Quincy, MA 02169. When writing, refer to NFPA No. 96.
3. These units are manufactured for installation in accordance with National Fuel Gas Code, ANSI-Z223.1/NFPA #54 (latest edition). Copies may be obtained from The American Gas Association, Accredited Standards Committee Z223 @ 400N. Capitol St. NW,

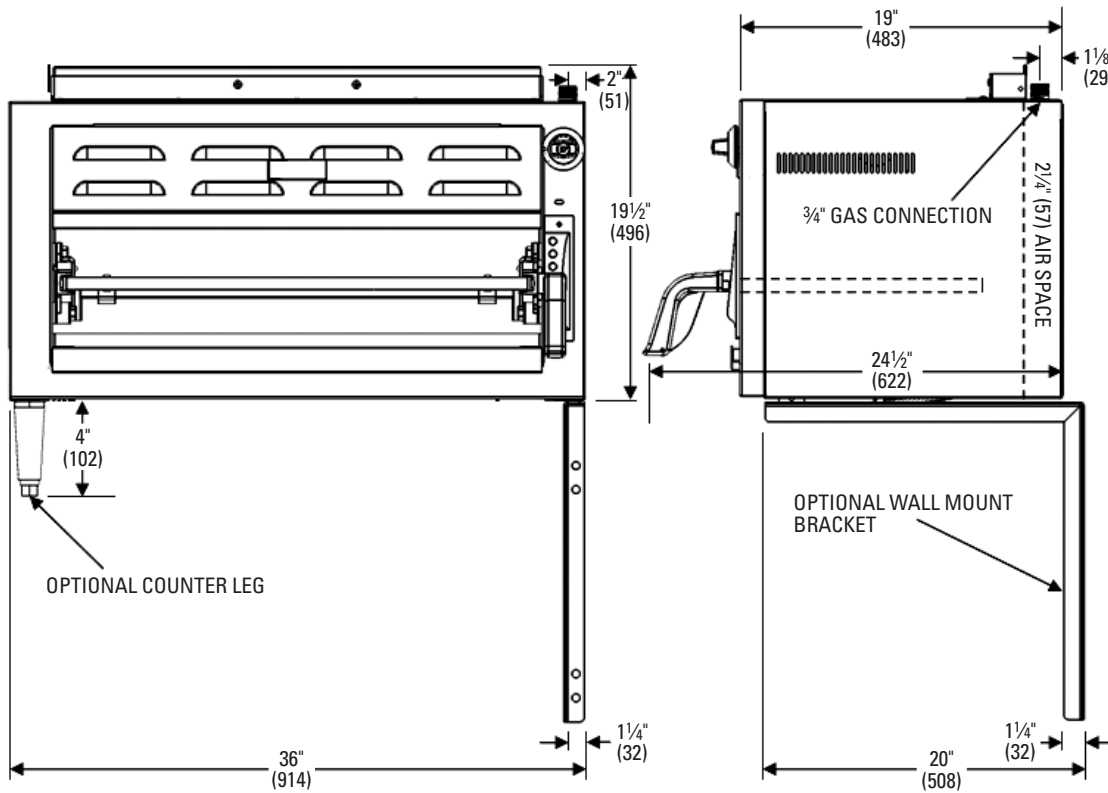
Washington, DC 20001, or the Secretary Standards Council, NFPA, 1 Batterymarch Park, Quincy, MA 02169-7471.

NOTE: In the Commonwealth of Massachusetts

All gas appliances vented through a ventilation hood or exhaust system equipped with a damper or with a power means of exhaust shall comply with 248 CMR.

4. Clearances:	Combustible	Non-Combustible
Rear	0"	0"
Sides	6"	0"
Bottom	10"	4"

5. This appliance is manufactured for commercial installation only and is not intended for home use.



GAS CONNECTION: 3/4" (19 mm)

MODEL	MOUNTED OVER	INPUT BTU/hr.	WIDTH	DEPTH	HEIGHT	APPROX. SHIP. WT.
FRB36	36" range	66,000	36" (914 mm)	19" (483 mm)	See Drawing	250 lbs./113 kg
FRB36	48" range	66,000	*48" (1219 mm)	19" (483 mm)		275 lbs./125 kg

*Width includes broiler and single deck plate shelf.



a division of ITW Food Equipment Group LLC

P.O. Box 696 ■ Louisville, KY 40201 ■ Toll-free: 1-800-814-2028 ■ Local: 502-778-2791 ■ Quote & Order Fax: 1-800-444-0602

NOTE: In line with its policy to continually improve its products, Vulcan reserves the right to change materials and specifications without notice.