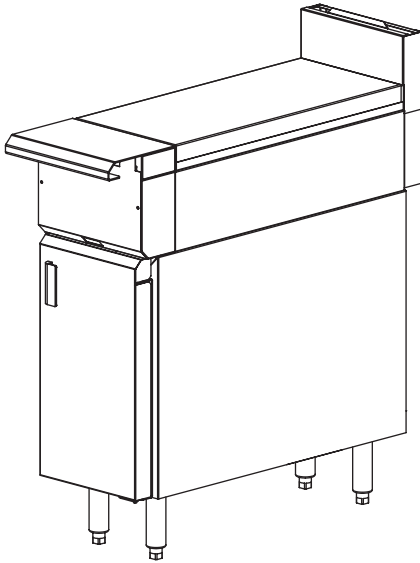


HEAVY DUTY COOKING**VULCAN****HEAVY DUTY GAS RANGE
FULL BODY SPREADERS****Model VWT12B****SPECIFICATIONS**

Full body work top spreader, Vulcan Model No. VWT12B (12" wide) and VWT18B (18" wide) or VWT24B (24" wide) and VWT36B (36" wide). Full body work top spreader of 20 gauge stainless steel with 16 gauge stainless steel work surface, 6" adjustable stainless steel legs and 4" high stub riser. Stainless steel work surface, front, front top ledge, sides, and stub back and 6" adjustable legs. 1/4" diameter front gas manifold.

Exterior Dimensions:

36³/₄"d x 12"w x 36"h on 6" adjustable legs

- VWT12B** 12" Full Body Spreader
- VWT18B** 18" Full Body Spreader
- VWT24B** 24" Full Body Spreader
- VWT36B** 36" Full Body Spreader

STANDARD FEATURES

- Stainless steel work surface, front, front top ledge, sides, base, and stub back
- 1/4" diameter front gas manifold
- 4" stainless steel stub riser
- 6" adjustable stainless steel legs
- Universal rack guides, with one removable shelf
- One year limited parts and labor warranty

OPTIONAL FEATURES (Factory Installed)

- Cap and cover front manifold
- Less legs for dolly mounting
- 3" high toe base for curb mounting
- Condiment type rail for 24" and 36" models

ACCESSORIES (Packaged & Sold Separately)

- 3/4", 1", or 1/4" gas pressure regulator (specify gas type – pack loose)
- Set of 4 casters, 6" high (two locking)
- 6" adjustable flanged feet
- Extra removable shelves for use with Universal rack guides (cabinet base)
- Banking strip
- 10", 22", or 34" high back risers (no shelf)
- 22" single deck solid or flo-thru high shelf risers
- 34" double deck solid or flo-thru high shelf risers
- Flexible gas hose with quick disconnect and restraining device
- Common plate rails (starting at 36" length)
- Common condiment type, telescoping plate rails (starting at 24" length)
- Dolly frames

VULCAN

a division of ITW Food Equipment Group LLC

P.O. Box 696 ■ Louisville, KY 40201 ■ Toll-free: 1-800-814-2028 ■ Local: 502-778-2791 ■ Quote & Order Fax: 1-800-444-0602



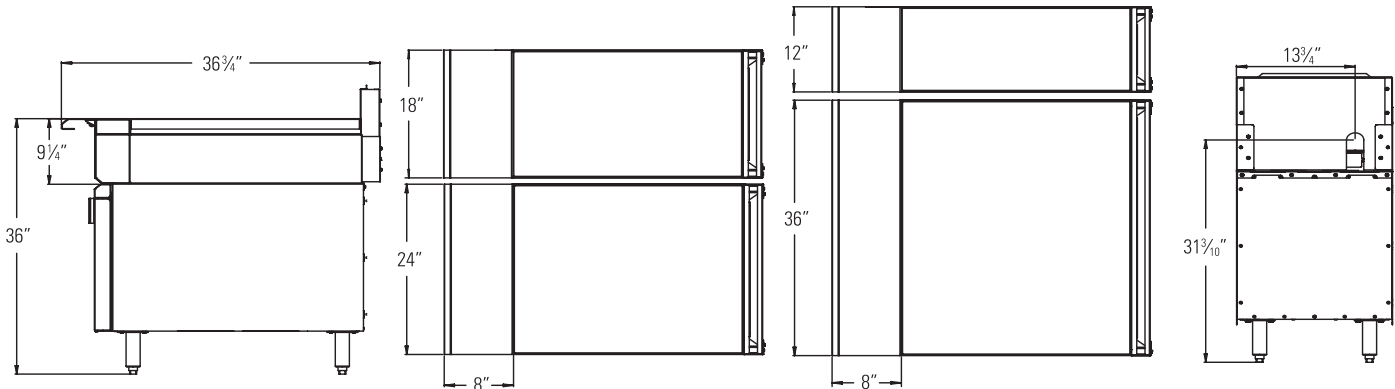
**HEAVY DUTY GAS RANGE
FULL BODY SPREADERS**

INSTALLATION INSTRUCTIONS

1. A properly sized gas pressure regulator suitable for battery or single unit application must be furnished and installed. Natural gas 6.0" W.C., propane gas 10.0" W.C.
 2. An adequate ventilation system is required for commercial cooking equipment. Information may be obtained by writing to the National Fire Protection Association, 1 Batterymarch Park, Quincy, MA 02269, www.NFPA.org. When writing, refer to NFPA No. 96.
 3. These units are manufactured for installation in accordance with ANSZ223.1A (latest edition), National Fuel Gas Code. Copies may be obtained from The American Gas Association, 400 N Capitol St. NW, Washington, DC 20001, www.AGA.org.
 4. **Clearances**

	<u>Rear</u>	<u>Sides</u>
Combustible	10"	10"
Non-combustible	0"	0"
 5. For proper combustion, install equipment on adjustable legs or casters. On curb or platform, allow 3½" front overhang. Toe base with leveling bolts are required for curb installation. Specify when ordering.
 6. Cannot be battered with GH series equipment.
 7. This appliance is manufactured for commercial installation only and is not intended for home use.
- NOTE:** In line with its policy to continually improve its product, Vulcan reserves the right to change materials and specifications without notice.

**Specify type of gas when ordering.
Specify altitude when above 2,000 feet.**



MODEL NUMBER	DESCRIPTION	SHIPPING WEIGHT LBS / KG
VWT12B	12" Wide Full Body Spreader	205 / 93
VWT18B	18" Wide Full Body Spreader	215 / 98
VWT24B	24" Wide Full Body Spreader	295 / 134
VWT36B	36" Wide Full Body Spreader	590 / 268



a division of ITW Food Equipment Group LLC

P.O. Box 696 ■ Louisville, KY 40201 ■ Toll-free: 1-800-814-2028 ■ Local: 502-778-2791 ■ Quote & Order Fax: 1-800-444-0602

NOTE: In line with its policy to continually improve its products, Vulcan reserves the right to change materials and specifications without notice.