

CB0830 – 800 lb Cube Ice Machine

Prodigy® Advanced Sustainability Modular Cube Ice Maker

PRELIMINARY



Shown on B8425 bin with optional KLP85 legs.

Features

The path to a more sustainable operation is through Prodigy Advanced Sustainability™. Integrated controls for optimizing energy and water efficiency and enhanced service diagnostic capability, help operations save money and natural resources.

Ultimate ice level management with a programmable seven-day 15 set-point system. Choose the amount of ice you need, when you want to make it.

An advanced network control system provides information about the machine's performance history to maximize operational uptime. If an issue does occur, Prodigy Advanced Sustainability can self-diagnose the issue and benchmark it. Maintenance can be accomplished faster and more effectively.

Visually communicates the machine's current status through five easy-to-understand LED-lighted universal symbols. Immediately alerts staff to key operational issues to minimize performance interruptions and ensure maintaining appropriate ice production levels. Tone/buzzer feature reinforces light symbols.

Warranty start date is stored in the controls for easy access and preventative maintenance scheduling as well as asset control management.

The patented WaterSense adaptive purge control delivers maximum reliability by reducing scale build-up for a longer time between cleanings.

Preventative maintenance is simpler than ever with easily-removed panels allowing clear access to internal components. Reusable air filter is easily removable from the outside.

24 Hour Volume Production

Air Cooled		
70°F/21°C 50°F/10°C lb/kg	Air Water	AHRI 90°F/32°C 70°F/21°C lb/kg
905/411		724/329

Cube Ice



Small Cube
7/8" x 7/8" x 3/8"
(2.22 x 2.22 x .95 cm)

Common ice form, ideal for mixed drinks.



Certified to NSF/ANSI 61-G



Modular Bin Options

Model Number	Dimensions W" x D" x H"	AHRI Certified Bin Capacity lb/kg	Application Capacity lb/kg	Ship Weight lb/kg
B530S/P	30 x 34 x 44	420/191	536/244	150/68
B842S	42 x 34 x 44	610/277	778/353	185/84
B948S	48 x 34 x 44	700/319	893/406	220/100



Bin: B948S



Bin: 530P

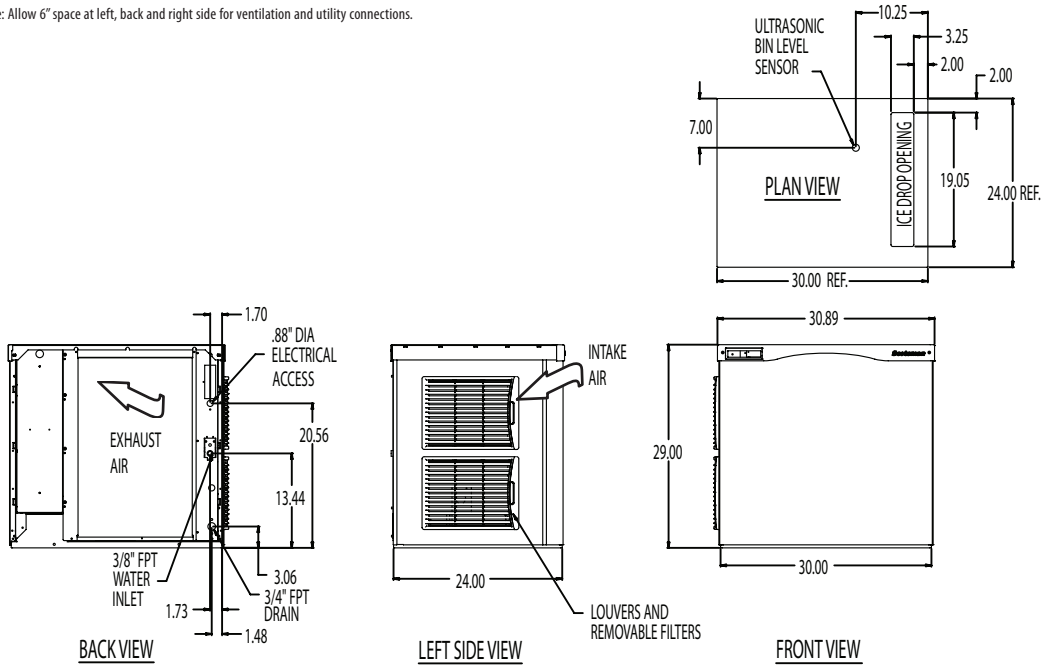


Warranty

- 3 years parts and labor on all components.
- 5 years parts and labor on the evaporator.
- 5 years parts on the compressor and condenser.

Warranty valid in North, South & Central America. Contact factory for warranty in other regions.

Installation Note: Allow 6" space at left, back and right side for ventilation and utility connections.



Specifications

Model Number* Cube Size: small	Condenser Unit	Basic Electrical Volts/Hz/Phase	Max. Fuse Size or HACR Circuit Breaker (amps)	Circuit Wires	Min. Circuit Ampacity	Energy Consumption kWh/100 lb (45.4 kg) 90°F(32°C)/70°F(21°C)	Water Usage Gallons/100 lb (liters/45.4 kg)	
							Potable 90°F(32°C)/ 70°F(21°C)	Condenser 90°F(32°C)/ 70°F(21°C)
CB0830SA-32	Air	208-230/60/1	15	2	10.2	5.3	21.6/81.8	-

= ENERGY STAR[®]

All Models

Dimensions (W x D x H):

Unit:

30" x 24" x 29"
(76.2 x 61.0 x 73.7 cm)

Shipping Carton:

33.5" x 27.5" x 34"
(85.1 x 69.9 x 86.4 cm)

Shipping Weight:

220 lb / 100 kg

BTUs per hour:

13,700

Refrigerant:

R-404A

Accessories

Model Number	Description
KPMFA309-B	Front Air Flow Kit.

* Scotsman recommends all ice machines have water filtration. See Scotsman Sanitation Matrix for details.

Operating Requirements

	Minimum	Maximum
Air Temperatures	50°F (10°C)	100°F (38°C)
Water Temperatures	40°F (4.4°C)	100°F (38°C)
Remote Cond. Temps	-20°F (-29°C)	120°F (49°C)
Water Pressures	20 PSIG (1.4 bar)	80 PSIG (5.5 bar)
Electrical Voltage	-10%	+10%

Specifications and design are subject to change without notice.

Scotsman Ice Systems · 775 Corporate Woods Parkway · Vernon Hills, IL 60061

1-800-SCOTSMAN

Fax: 847-913-9844

E-mail: customer.relations@scotsman-ice.com

www.scotsman-ice.com