



# N1322 - 1300lb Nugget Ice Machine

## Prodigy Plus® Nugget Ice Machine

### Superior performance with every cup.

Now the soft, chewable nugget ice that customers love is available with more innovative technology than ever before. With next-generation diagnostics like AutoAlert™ indicator lights on the new Scotsman Prodigy Plus® nugget ice machines, operators can help ensure superior performance while enjoying maximum efficiency — every day. And with features like advanced ice level control, a small operational footprint and easy-access service from the front panel, Prodigy Plus® nugget ice machines are the smart choice for today's busy food-service environments.



### The Prodigy Plus® difference.

- The Original Chewable Ice®
- AutoAlert™ indicator lights for better visibility
- Operational footprint among the industry's smallest
- Industry-exclusive QR code instantly connects users to service information and warranty history
- Front-located air filter for more efficient operation
- Self-aligning front panel for easy access to key components
- Patented WaterSense purge control automatically reduces scale buildup
- Smart-Board™ advanced feature module available for additional diagnostic capabilities
- Optional Vari-Smart™ ice level control allows operators to customize ice levels
- Antimicrobial protection guards internal surfaces between cleanings
- A full range of water- and energy-saving features

N1322 - 1300lb Nugget Ice Machine



### 24 Hour Volume Production

Air Cooled		Remote Cooled			Water Cooled			
70°F/21°C	Air	90°F/32°C	70°F/21°C	Air	90°F/32°C	70°F/21°C	Air	90°F/32°C
50°F/10°C	Water	70°F/21°C	50°F/10°C	Water	70°F/21°C	50°F/10°C	Water	70°F/21°C
1180/535		950/431	1329/602	1030/467	1354/614	1050/476		
lb/kg		lb/kg	lb/kg	lb/kg	lb/kg	lb/kg		



### Modular Bin & Dispenser Options



B948S

Model Number*	Dimensions W" x D" x H"	Application Capacity lb/kg	AHRI Certified Bin Capacity lb/kg	Finish	Ship Weight lb/kg
B948S	48 x 34 x 44**	893/406	700/319	Metallic	220/100
BH1100BB-A	48 x 34 x 50**	1100/499	860/390	SS w/ GBB†	280/127
BH1100SS-A	48 x 34 x 50**	1100/499	860/390	SS	280/127
BH1300BB-A	60 x 34 x 50**	1400/635	1100/499	SS w/ GBB†	310/140
BH1300SS-A	60 x 34 x 50**	1400/635	1100/499	SS	310/140
BH1600BB-A	60 x 34 x 62**	1755/796	1375/624	SS w/ GBB†	370/168
BH1600SS-A	60 x 34 x 62**	1755/796	1375/624	SS	370/168

\*Contact Scotsman for bin top requirements. \*\*Add 6" Height for bin legs.  
† Stainless steel with galvanized back & bottom.



### Nugget Ice



The Original Chewable Ice™! Soft ice ideal for fountain beverages and blended fruit drinks.



### Certification



### Warranty

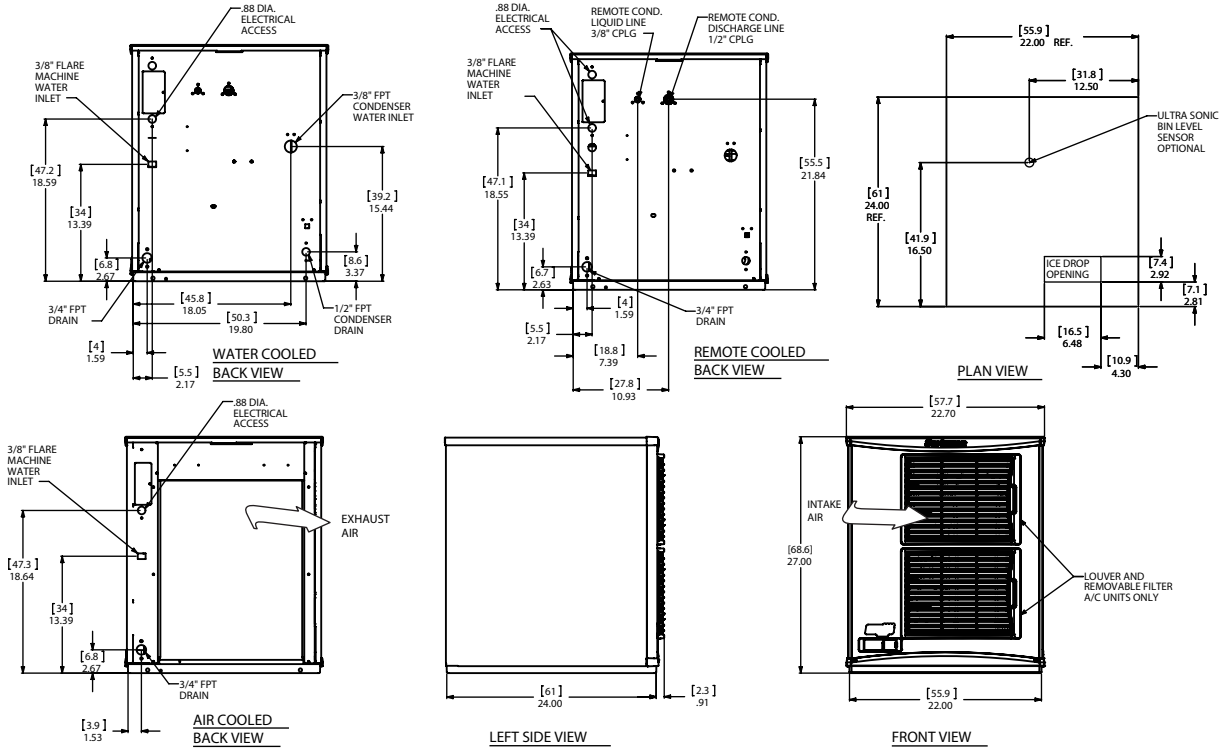
- 3 years parts and labor on all components.
- 5 years parts on the compressor.

Warranty valid in North, South & Central America. Contact factory for warranty in other regions.



# N1322 - 1300lb Nugget Ice Machine

## Prodigy Plus® Nugget Ice Machine



### Specifications

Model Number	Condenser Unit	Basic Electrical Volts/Hz/Phase	Max. Fuse Size or HACR Circuit Breaker (amps)	Circuit Wires	Min. Circuit Ampacity	Energy Consumption kWh/100 lb (45.4 kg) 90°F(32°C)/70°F(21°C)	Water Usage Gallons/100 lb (liters/45.4 kg)		Energy Star®
							Potable 90°F(32°C)/70°F(21°C)	Condenser 90°F(32°C)/70°F(21°C)	
N1322A-32	Air	208-230/60/1	30	2	19.1	4.2	12.0/45.5	-	☆
N1322R-32	Remote	208-230/60/1	30	2	18.9	4.0	12.0/45.5	-	☆
N1322W-32	Water	208-230/60/1	30	2	17.9	4.0	12.0/45.5	81/307.1	



### All Models

**Dimensions (W x D x H):**

Unit: **Individual**  
22.9" x 24" x 27"  
(58.2 x 61.0 x 68.6 cm)

**Side by Side**  
44" x 24" x 27"  
(111.8 x 61.0 x 68.6 cm)

Shipping Carton: 25.5" x 27.5" x 32.5"  
(64.8 x 69.9 x 82.6 cm)

Shipping Weight: 225 lb / 102 kg  
BTUs per hour: 16,000

Refrigerant: R-404A



### Accessories

Model Number	Description
KVS	Vari-Smart™ Ice Level Control - Program ice bin levels to match ice needs.
KSBU	Smart-Board™ Advanced Control - Use additional operational data for fast diagnosis.
KSBU-N	Smart-Board™ Advanced Control with Network - Network capable.
ERC311-32A	Remote condenser for N1322R, 208-230V/60/1
RTE10	Line set, pre-charged, R404A, 10ft.
RTE25	Line set, pre-charged, R404A, 25ft.
RTE40	Line set, pre-charged, R404A, 40ft.
RTE75	Line set, pre-charged, R404A, 75ft.
KPAS	Prodigy Advanced Sustainability Kit - Includes KVS and KSBU - N

Scotsman recommends all ice machines have water filtration. See Scotsman water filter specification sheet for details.



### Operating Requirements

	Minimum	Maximum
Air Temperatures	50°F (10°C)	100°F (38°C)
Water Temperatures	40°F (4.4°C)	100°F (38°C)
Remote Cond. Temps	-20°F (-29°C)	120°F (49°C)
Water Pressures	20 PSIG (1.4 bar)	80 PSIG (5.5 bar)
Electrical Voltage	-10%	+10%

Specifications and design are subject to change without notice.