

PRODIGY
PLUS

Eclipse™

EH430 - 1400-1800lb Cube Ice Machine

Prodigy Plus® Eclipse® Remote Cooled Modular Cube Ice Machine

The world's smartest cuber.

As the world's only self-monitoring cuber, the new Scotsman Prodigy Plus® cube ice machines make it easier than ever to maintain your equipment and save money. Whether it's the advanced ice level control or an optional feature board for quick diagnostics, this is ice-making re-imagined. And with intuitive technology like AutoAlert™ indicator lights, a reduced operational footprint and easy-access service from the front panel, Prodigy Plus® cubers are simply the smartest, most reliable way to create fresh-tasting ice — every time.



The Prodigy Plus® difference.

- AutoAlert™ indicator lights for better visibility
- Operational footprint among the industry's smallest
- Industry-exclusive QR code instantly connects users to service information and warranty history
- One-touch cleaning reduces labor costs and saves time
- Front-located air filter for more efficient operation
- Self-aligning front panel for easy access to key components
- Patented WaterSense purge control automatically reduces scale buildup
- Patented Harvest Assist efficiently moves cube ice to the bin
- Smart-Board™ advanced feature module available for additional diagnostic capabilities
- Optional Vari-Smart™ ice level control allows operators to customize ice levels
- Antimicrobial protection guards internal surfaces between cleanings
- A full range of water- and energy-saving features



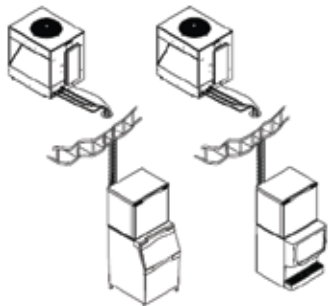
24 Hour Volume Production



Remote condenser.



Modular Bin Options



Eclipse System connected to single remote condenser.

Model Number*	Dimensions W" x D" x H"	EH430 1400lb		EH430 1800lb		Ship Weight lb/kg	
		70°F/21°C 50°F/10°C	Air Water	90°F/32°C 70°F/21°C	70°F/21°C 50°F/10°C		Air Water
		1425/648 lb/kg		1200/545 lb/kg		1775/807 lb/kg	1600/727 lb/kg

Model Number*	Dimensions W" x D" x H"	AHRI Certified Bin Capacity lb/kg	Application Capacity lb/kg	Finish	Ship Weight lb/kg
ID250	30 x 30 x 40	-	250/114	Stainless Steel	300/136
B948S	48 x 34 x 44**	700/319	893/406	Metallic	220/100
BH1100BB	48 x 34 x 50**	860/393	1100/499	SS w/ GBB†	280/127
BH1100SS	48 x 34 x 50**	860/393	1100/499	Stainless Steel	280/127
BH1300BB	60 x 34 x 50**	1100/499	1400/635	SS w/ GBB†	310/140
BH1300SS	60 x 34 x 50**	1100/499	1400/635	Stainless Steel	310/140
BH1600BB	60 x 34 x 62**	1375/624	1755/796	SS w/ GBB†	370/168
BH1600SS	60 x 34 x 62**	1375/624	1755/796	Stainless Steel	370/168

* Contact Scotsman for bin top requirements. ** Add 6" Height for bin legs.
† Stainless steel with galvanized back & bottom.



Cube Ice



Small Cube
7/8" x 7/8" x 3/8"
(2.22 x 2.22 x .95 cm)

Common ice form, ideal for mixed drinks.



Certification



Warranty

- 3 years parts and labor on all components.
- 5 years parts and labor on the evaporator.
- 5 years parts on the compressor and condenser.

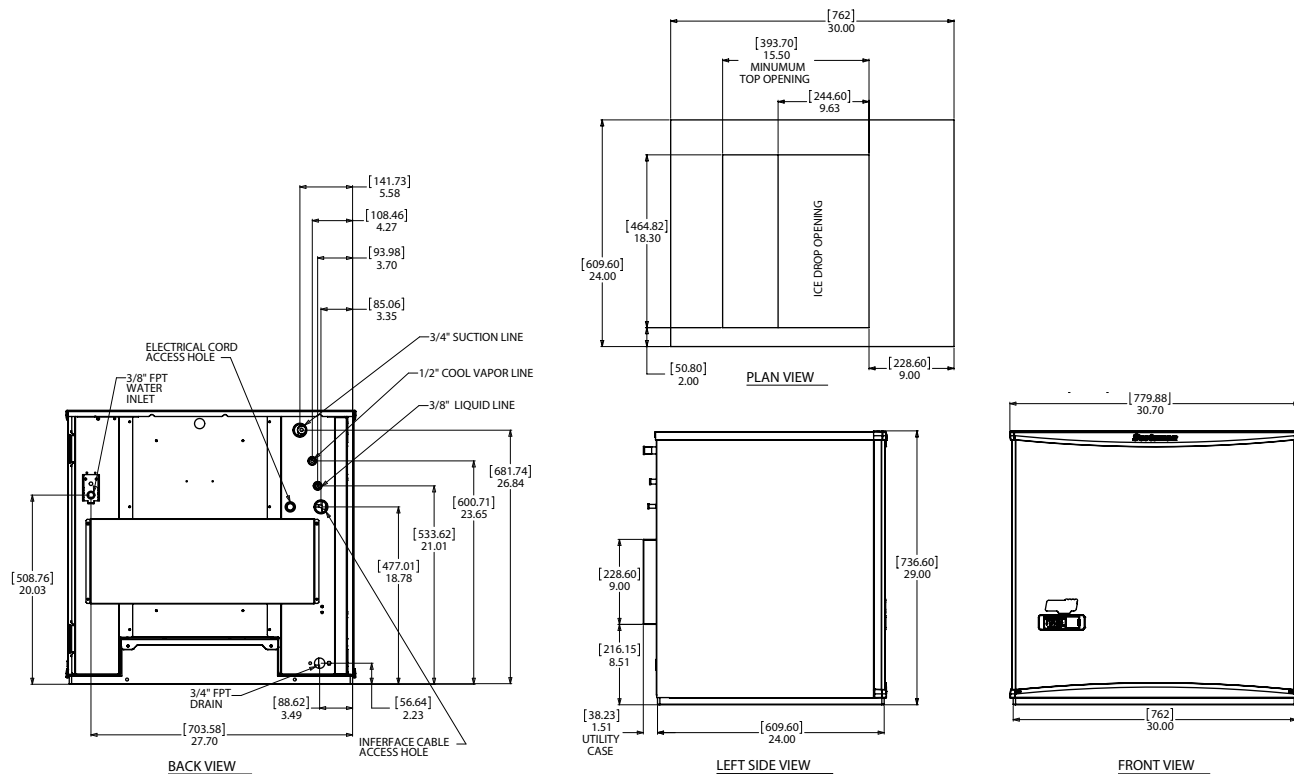
Warranty valid in North, South & Central America. Contact factory for warranty in other regions.

Scotsman
ICE THE WORLD DEMANDS

EH430 - 1400-1800lb Cube Ice Machine

EH430 - 1400-1800lb Cube Ice Machine

Prodigy Plus® Eclipse® Remote Cooled Modular Cube Ice Machine



Specifications

Ice Head Model Number	Compressor Unit	Basic Electrical Volts/Hz/Phase	Max. Fuse Size or HACR Circuit Breaker (amps)	Circuit Wires	Min. Circuit Ampacity	Energy Consumption kWh/100 lb (45.4 kg) 90°F(32°C)/70°F(21°C)	Water Usage Gallons/100 lb (liters/45.4 kg)		Energy Star®
							Potable 90°F(32°C)/70°F(21°C)	Condenser 90°F(32°C)/70°F(21°C)	
EH430SL-1C	-	115/60/1	15	2	Cord	-	-	-	★
-	ECC1410-32	208-230/60/1	30	2	16.5	4.5	18.0/70.1	-	★
-	ECC1410-3	208-230/60/3	20	3	12.6	4.5	18.0/70.1	-	★
-	ECC1800-3	208-230/60/3	30	3	19.0	4.7	18.0/66.7	-	-



All Models

Dimensions (W x D x H):

EH430 Unit: 30" x 24" x 29"
(76.2 x 61.0 x 73.7 cm)

Shipping Carton: 33.5" x 27.5" x 34"
(85.1 x 70.0 x 86.3 cm)

Compressor Unit: 30" x 18" x 35"
(76.2 x 45.7 x 88.9 cm)

Shipping Carton: 33" x 21" x 38"
(83.8 x 53.3 x 96.5 cm)

Shipping Weight: EH430 185lb / 84 kg,
ECC1800 225lb / 102kg
ECC1410 225lb / 102kg

BTUs per hour: EH430 1400lb : 20,000
EH430 1800lb : 31,600
EH430 2000lb : 35,300

Refrigerant: R-404A



Accessories

Model Number	Description
KVS	Vari-Smart™ Ice Level Control - Program ice bin levels to match ice needs.
KSBU	Smart-Board™ Advanced Control - Use additional operational data for fast diagnosis.
KSBU-N	Smart-Board™ Advanced Control with Network - Network capable.
3BRTE20-EH	Line set, 20ft. Refrigerant and Brazing required
3BRTE35-EH	Line set, 35ft. Refrigerant and Brazing required
3BRTE50-EH	Line set, 50ft. Refrigerant and Brazing required
3BRTE75-EH	Line set, 75ft. Refrigerant and Brazing required

Scotsman recommends all ice machines have water filtration. See Scotsman water filter specification sheet for details.



Operating Requirements

	Minimum	Maximum
Air Temperatures	50°F (10°C)	100°F (38°C)
Water Temperatures	40°F (4.4°C)	100°F (38°C)
Remote Cond. Temps	-20°F (-29°C)	120°F (49°C)
Water Pressures	20 PSIG (1.4 bar)	80 PSIG (5.5 bar)
Electrical Voltage	-5%	+10%



Specifications and design are subject to change without notice.