

VIENNA COUNTER TOP COLD DISPLAY

PROJECT: _____
 ITEM: _____ QUANTITY: _____

MODEL # VICD-SQ CT SQUARED GLASS

SPECIFICATIONS

The Vienna Series VICD-SQ CT is a refrigerated full service display style unit designed for counter top application, featuring insulated squared front glass, top and side panels. Units are standard in stainless steel with an adjustable shelf, lights and sliding rear see-through access doors.



Available lengths: 31 1/2" 44 1/4"

Available depths: 32 5/8"

Available heights: 28 3/8"

STANDARD FEATURES

- Squared Glass Profile
- 304 Stainless Steel Exterior
- Insulated Glass Front, Top and Side Panels
- Sliding Rear See-Through Access Doors
- (1) Adjustable Glass Shelf with Light
- Easy Removable Deck Pans for Cleaning
- Programmable Digital Refrigeration Controller
- Self-Contained Refrigeration with Rear Compressor Housing
- Fan Assisted Cooling System
- Lift-Up Evaporator
- Tilt-Out Front Glass
- 6' Cord & Plug
- ETL Listed in Accordance with UL 471 and NSF 7 Standards
- Environmentally Safe Refrigerant
- Built in Condensate Evaporator Pan (No Floor Drain Required)

OPTIONAL FEATURES

- Remote Refrigeration
- Energy Efficient LED Lighting
- 5 Year Compressor Warranty



Conforms to UL Standard 471, and NSF Standard 7; Certified To CSA Standard C22.2 No.120

MODEL	L	D	H	HP	VOLT	AMP	PLUG	WT	REFRIG.
VICD2-20-R-SQ-SC CT	31 1/2	32 5/8	28 3/8	1/5	115	3.8	5-15P	440	134A
VICD3-20-R-SQ-SC CT	44 1/4	32 5/8	28 3/8	1/4	115	4.8	5-15P	484	134A

CALL TOLL FREE: 800-525-3692 (609-714-2330)

FAX: 609-714-2331 www.rpiindustries.com

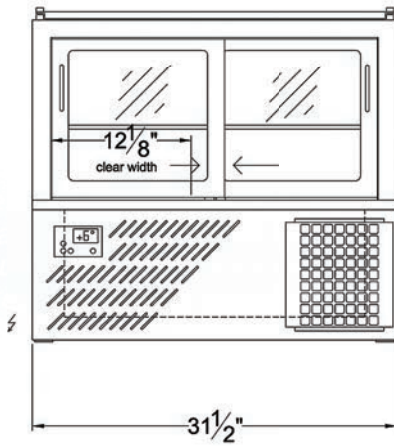
220 ROUTE 70, MEDFORD, NJ 08055



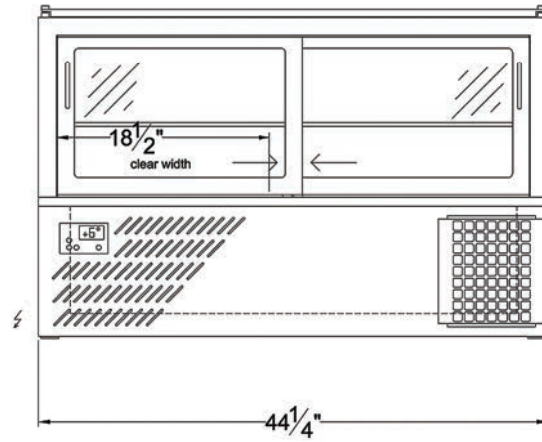
VIENNA COUNTER TOP COLD DISPLAY

PROJECT: _____
TOLL FREE: 800-525-3692

MODEL # VICD-SQ CT SQUARED GLASS

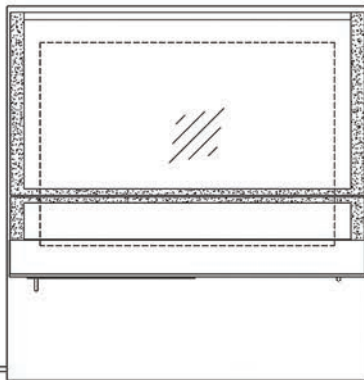


VICD2-20-R-SQ-SC CT



VICD3-20-R-SQ-SC CT

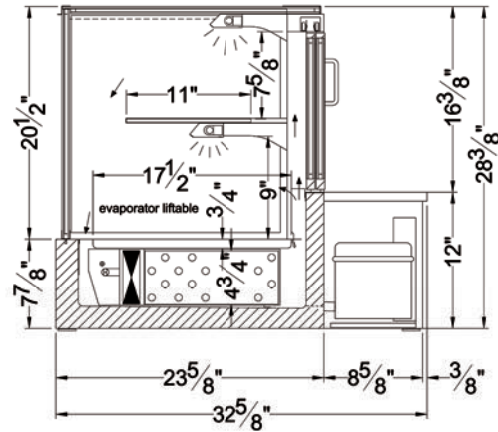
Customer Side



Operator Side

Electrical & Plumbing locations

6' Power Cord
NEMA 5-15P



Shelf ± 1 inch adjustable and
inclineable

RPI Merchandiser is designed for use in stores where ambient temperatures and humidity do not exceed 75 Degrees Fahrenheit and 55%RH. Locate away from direct sunlight, rapid air currents and extreme temperature changes. Exposure to air currents from ceiling fans, air conditioning diffusers, ovens, etc. will disrupt the case air curtain and refrigerated zone.

Refrigerated Displays are designed to maintain pre-chilled products. Adding or loading warm products above 41 Degrees Fahrenheit can affect the temperature of the entire cabinet. Any adverse field conditions stated above will void warranty.

RPI in line with it's current policy to continually improve it's product reserves the right to change materials and specifications without notice

CALL TOLL FREE: 800-525-3692 (609-714-2330)

FAX: 609-714-2331 www.rpiindustries.com

220 ROUTE 70, MEDFORD, NJ 08055

RPI INDUSTRIES, INC.

v1.13