

VIENNA COUNTER SLIDE-IN STYLE

PROJECT: _____
 ITEM: _____ QUANTITY: _____

MODEL # VICD-SQ MES

SPECIFICATIONS

The Vienna Series VICD-SQ MES is a very clean, very simple way to increase sales by utilizing a slide-in style refrigerated display, with a front counter. The unit features a rear slide-out drawer for easy access to product. Interior sides and rear of the unit come in a mirror-stainless finish. Unit comes standard with insulated glass and lift-up top glass.



SHOWN WITH OPTIONAL 6" CASTERS

Available lengths: 36 1/4" 52 1/8"

Available depths: 28 7/8"

Available heights: 30"

STANDARD FEATURES

- Rear Slide-Out Drawer for Easy Access (Operator Side)
- Lift-Up Top Glass
- Insulated Glass Top, Front & Ends
- Base Cabinet Sides & Rear Stainless Steel Finished
- Rear Air Ventilation Kit
- Programmable Digital Refrigeration Controller
- Self-Contained Refrigeration with Integrated Compressor Housing
- Fan Assisted Cooling System
- Lift-Up Evaporator
- 8' Cord & Plug
- ETL Listed in Accordance with UL 471 and NSF 7 Standards
- Environmentally Safe Refrigerant
- Built In Condensate Evaporator Pan (No Floor Drain Required)

OPTIONAL FEATURES

- Remote Refrigeration
- Integrations Modular Center (Consult Factory)
- Mirror Finished Interior Drawer and Sides
- Adjustable Legs & Casters (Slide-In Units)
 - 6" Legs 8" Legs
 - 6" Casters
- 5 Year Compressor Warranty



Conforms to UL Standard 471, and NSF Standard 7; Certified To CSA Standard C22.2 No.120

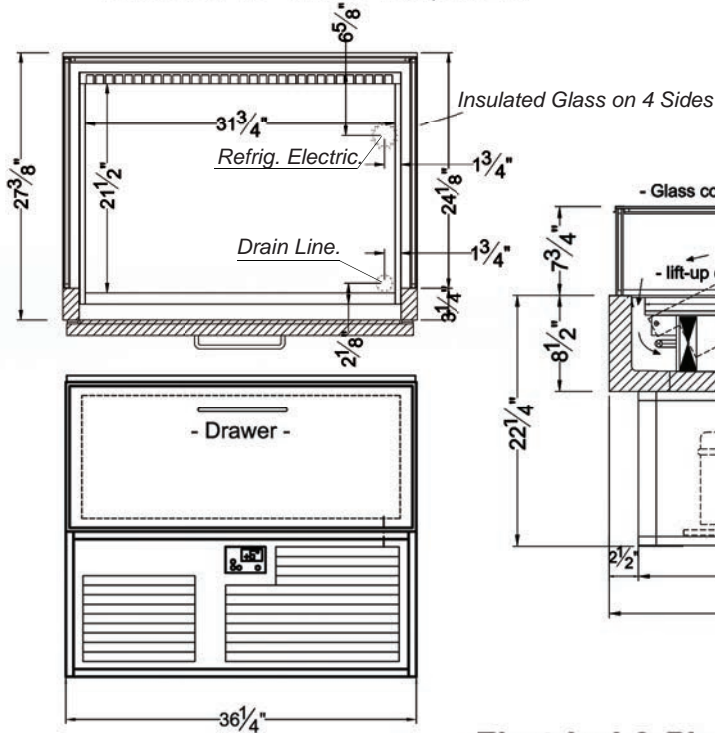
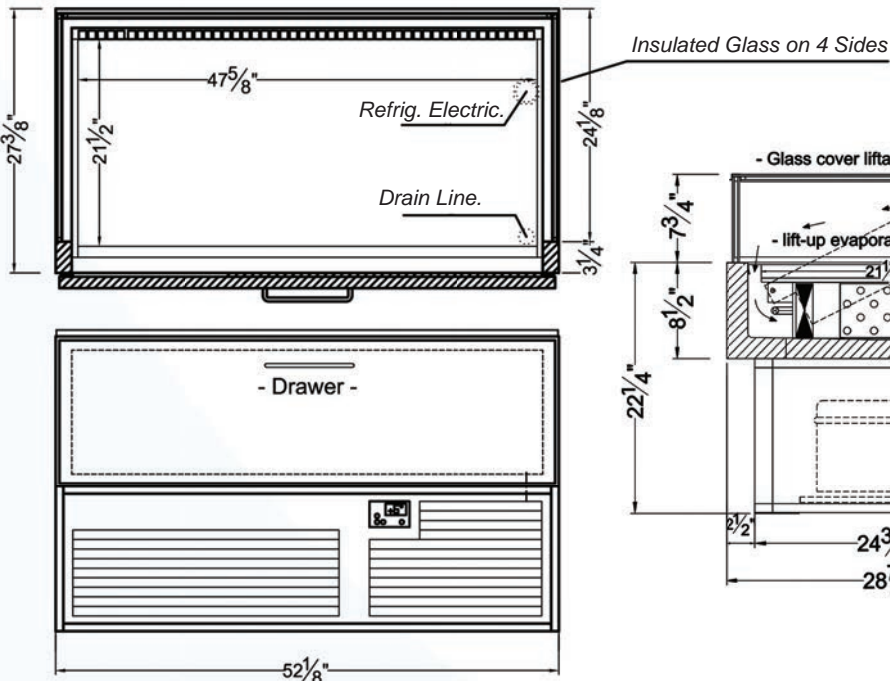
| MODEL | L | D | H | HP | VOLT | AMP | PLUG | WT | REFRIG. |
|----------------------|--------|--------|----|-----|------|-----|-------|-----|---------|
| VICD2-20-R-SQ-SC MES | 36 1/4 | 28 7/8 | 30 | 1/4 | 115 | 5.2 | 5-15P | 484 | 134A |
| VICD3-20-R-SQ-SC MES | 52 1/8 | 28 7/8 | 30 | 1/3 | 115 | 6.0 | 5-15P | 550 | 134A |

CALL TOLL FREE: 800-525-3692 (609-714-2330)

FAX: 609-714-2331 www.rpiindustries.com

220 ROUTE 70, MEDFORD, NJ 08055



VIENNA COUNTER SLIDE-IN STYLE**MODEL # VICD-SQ MES****VICD2-20-R-SQ-SC MES****Electrical & Plumbing locations****VICD3-20-R-SQ-SC MES**

1. RPI Merchandiser is designed for use in stores where ambient temperatures and humidity do not exceed 75 Degrees Fahrenheit and 55%RH. Locate away from direct sunlight, rapid air currents and extreme temperature changes. Exposure to air currents from ceiling fans, air conditioning diffusers, ovens, etc. will disrupt the case air curtain and refrigerated zone. Refrigerated Displays are designed to maintain pre-chilled products. Adding or loading warm products above 41 Degree Fahrenheit can affect the temperature of the entire cabinet. Any adverse field conditions stated above will void warranty.

RPI in line with it's current policy to continually improve it's product reserves the right to change materials and specifications without notice.

CALL TOLL FREE: 800-525-3692 (609-714-2330)

FAX: 609-714-2331 www.rpiindustries.com

220 ROUTE 70, MEDFORD, NJ 08055

RPI INDUSTRIES, INC. v1.13