

VIENNA COLD DISPLAY

PROJECT: _____
 ITEM: _____ QUANTITY: _____

MODEL # VICD-SL FD SLANTED GLASS w/ FLIP-UP DOORS

SPECIFICATIONS

The Vienna Series VICD-SL FD Slide-in with rear air ventilation kit is an attendant service refrigerated display merchandiser, featuring insulated glass top, side panels and slanted front profile with "flip-up" compartment access doors for self-serve application. Unit is available in choice of three heights with hinged rear see-through access doors. When being used as a "slide-in" please advise if counter height is 34" or 36". Optional 6" or 8" stainless steel adjustable legs or 6" casters are available for slide-in style models.



SHOWN WITH OPTIONAL 6" LEGS

Available lengths: 31 1/2" 44 3/8" 57 1/8"

Available depths: 27 3/8"

Available (above counter) heights: 21 1/4" 28" 34 5/8"

STANDARD FEATURES

- Slanted Glass Profile
- 304 Stainless Steel Exterior
- Insulated Glass Top and Side Panels
- Acrylic Glass Front Flip-Up Access Doors
- Hinged Rear See-Through Access Doors
- Easy Removable Deck Pans for Cleaning
- Programmable Digital Refrigeration Controller
- Self-Contained Refrigeration with Integrated Compressor Housing
- Rear Air Ventilation Kit
- Fan Assisted Cooling System
- Lift-Up Evaporator
- ETL Listed in Accordance with UL 471 and NSF 7 Standards
- Environmentally Safe Refrigerant
- Floor Drain Required

OPTIONAL FEATURES

- Drop-In Style (Consult Factory for Additional Information)
- Remote Refrigeration
- Energy Efficient LED Lighting
- Integrated Top Air Duct
- Integrations Modular Counter (Consult Factory)
- Adjustable Legs & Casters (Slide-In Units)
 - 6" Legs 8" Legs
 - 6" Casters
- 5 Year Compressor Warranty



Conforms to UL Standard 471, and NSF Standard 7; Certified To CSA Standard C22.2 No.120

MODEL	L	D	H	HP	VOLT	AMPS	PLUG	WT	REFRIG.	DROP IN C/O SIZE	SLIDE IN C/O SIZE
VICD2-20-R-SL-SC FD	31 1/2	27 3/8	21 1/4	1/4	115	4.8	5-15P	462	134A	29 1/4 x 26 3/8	29 1/4 x 26 3/8
VICD3-20-R-SL-SC FD	44 3/8	27 3/8	21 1/4	1/3	115	5.7	5-15P	506	134A	42 1/8 x 26 3/8	42 1/8 x 26 3/8
VICD4-20-R-SL-SC FD	57 1/8	27 3/8	21 1/4	1/3	115	5.9	5-15P	572	134A	54 7/8 x 26 3/8	54 7/8 x 26 3/8
VICD2-27-R-SL-SC FD	31 1/2	27 3/8	28	1/3	115	5.7	5-15P	484	134A	29 1/4 x 26 3/8	29 1/4 x 26 3/8
VICD3-27-R-SL-SC FD	44 3/8	27 3/8	28	1/3	115	6.0	5-15P	528	134A	42 1/8 x 26 3/8	42 1/8 x 26 3/8
VICD4-27-R-SL-SC FD	57 1/8	27 3/8	28	3/8	115	7.8	5-15P	594	134A	54 7/8 x 26 3/8	54 7/8 x 26 3/8
VICD2-34-R-SL-SC FD	31 1/2	27 3/8	34 5/8	3/8	115	7.3	5-15P	528	134A	29 1/4 x 26 3/8	29 1/4 x 26 3/8
VICD3-34-R-SL-SC FD	44 3/8	27 3/8	34 5/8	3/8	115	7.8	5-15P	572	134A	42 1/8 x 26 3/8	42 1/8 x 26 3/8
VICD4-34-R-SL-SC FD	57 1/8	27 3/8	34 5/8	1/2	115	9.4	5-15P	638	134A	54 7/8 x 26 3/8	54 7/8 x 26 3/8

CALL TOLL FREE: 800-525-3692 (609-714-2330)

FAX: 609-714-2331 www.rpiindustries.com

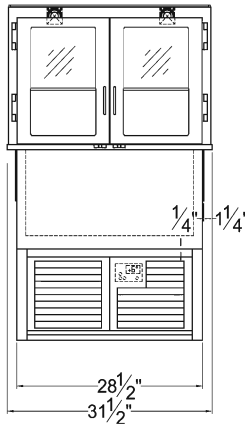
220 ROUTE 70, MEDFORD, NJ 08055



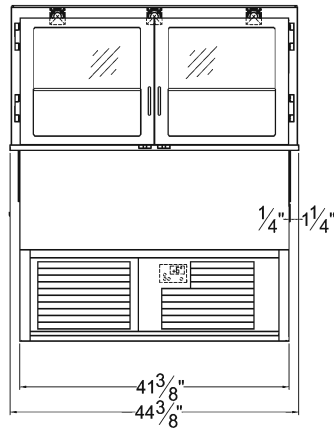
VIENNA COLD DISPLAY

PROJECT: _____
TOLL FREE: 800-525-3692

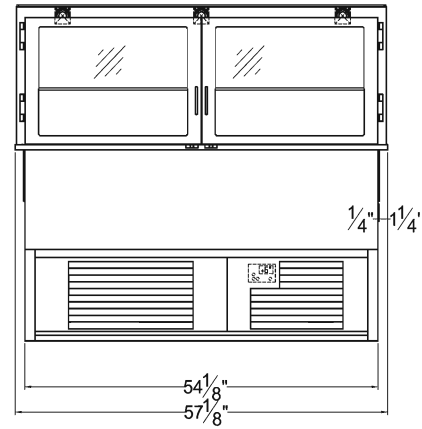
MODEL # VICD-SL FD SLANTED GLASS w/ FLIP-UP DOORS



VICD2(A)-R-SL-SC FD



VICD3(A)-R-SL-SC FD

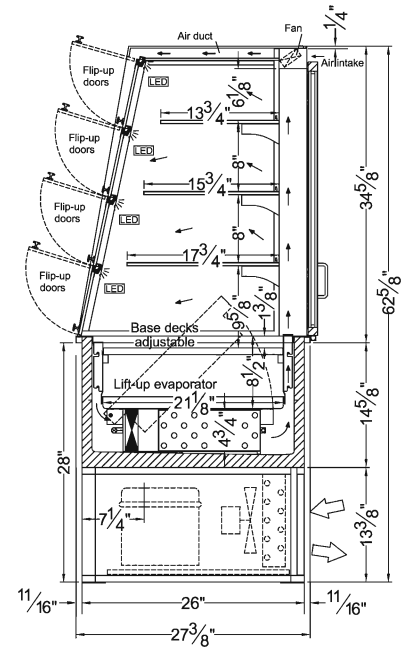
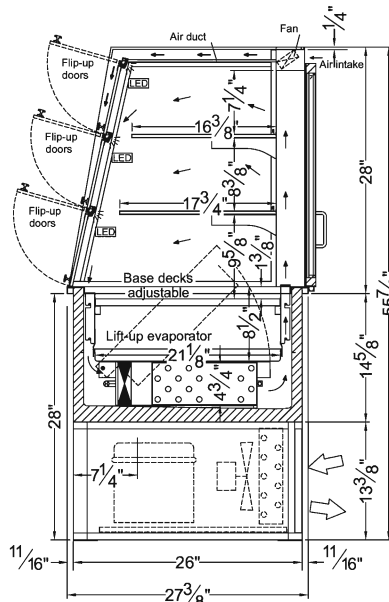
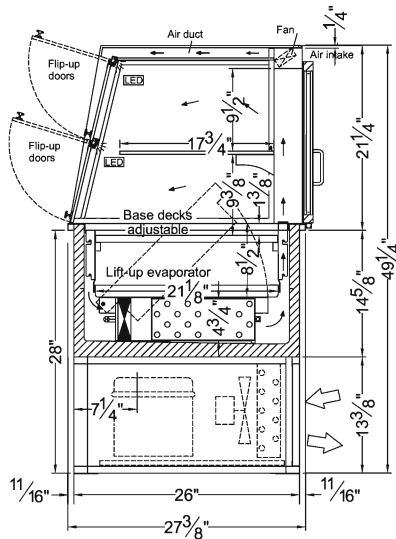


VICD4(A)-R-SL-SC FD

VICD(A)-20-R-SL-SC FD

VICD(A)-27-R-SL-SC FD

VICD(A)-34-R-SL-SC FD

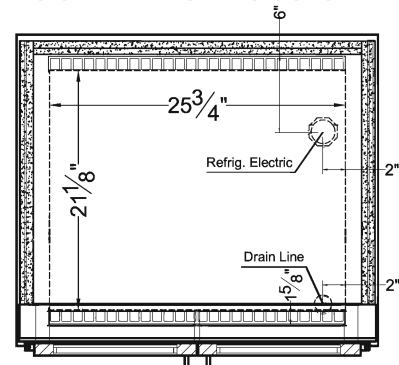


UNITS SHOWN WITH "REAR AIR BREATHING" OPTION

LARGEST DIMENSION REPRESENTS OUTSIDE FLANGE

1. A 1" diameter drain is provided. The drain **MUST** be connected to a floor drain or storage container **AT TIME OF INSTALLATION**.
2. Front and Rear ventilation louvers, each at least 25" W x 20" H, **MUST** be provided in the cabinet or counter and located so to provide full ventilation for the condensing unit.
3. The VICD-SL FD merchandiser is designed for use in locations where temperatures and humidity do not exceed 75 degrees and 55% R.H. Locate away from direct sunlight, rapid air currents and extreme temperature changes. Exposure to air currents from ceiling fans, air conditioners, ovens, etc. will disrupt the cases air current and refrigeration zone within. Any adverse field conditions stated above will void warranty.

RPI in line with it's policy to continually improve it's product reserves the right to change materials and specifications without notice.



CALL TOLL FREE: 800-525-3692 (609-714-2330)

FAX: 609-714-2331 www.rpiindustries.com

220 ROUTE 70, MEDFORD, NJ 08055



INDUSTRIES, INC.

v1.13

Electrical & Plumbing locations