

MODEL # VIAS-SQ INS SQUARED GLASS

SPECIFICATIONS

The Vienna Series VIAS-SQ INS Slide-in with rear air ventilation kit is a self-service "Grab and Go" style refrigeration merchandiser, featuring a squared glass profile, with insulated glass side panels. Unit is available in choice of three heights with hinged see-through access doors. When being used as a "slide-in" please advise if counter height is 34" or 36". Optional 6" or 8" stainless steel adjustable legs or 6" casters are available for slide-in style models.



SHOWN WITH OPTIONAL 6" LEGS

Available lengths: 31 1/2" 44 3/8" 57 1/8" 69 7/8"

Available depths: 27 3/8"

Available (above counter) heights: 20 7/8" 27 1/2" 34 1/4"

STANDARD FEATURES

- Squared Glass Profile
- 304 Stainless Steel Exterior
- Non-Insulated Glass Top Panel, Insulated Glass Side Panels,
- Hinged Rear See-Through Access Doors
- Easy Removable Deck Pans for Cleaning
- Programmable Digital Refrigeration Controller
- Self-Contained Refrigeration with Integrated Compressor Housing
- Rear Air Ventilation Kit
- Fan Assisted Cooling System
- Lift-Up Evaporator
- ETL Listed in Accordance with UL 471 and NSF 7 Standards
- Environmentally Safe Refrigerant
- Floor Drain Required

OPTIONAL FEATURES

- Drop-In Style (Consult Factory for Additional Information)
- Remote Refrigeration
- Energy Efficient LED Lighting
- Removable Acrylic Locking Night Cover
- Integrations Modular Counter (Consult Factory)
- Adjustable Legs & Casters (Slide-In Units)
 - 6" Legs 8" Legs
 - 6" Casters
- 5 Year Compressor Warranty



Conforms to UL Standard 471, and NSF Standard 7; Certified To CSA Standard C22.2 No.120

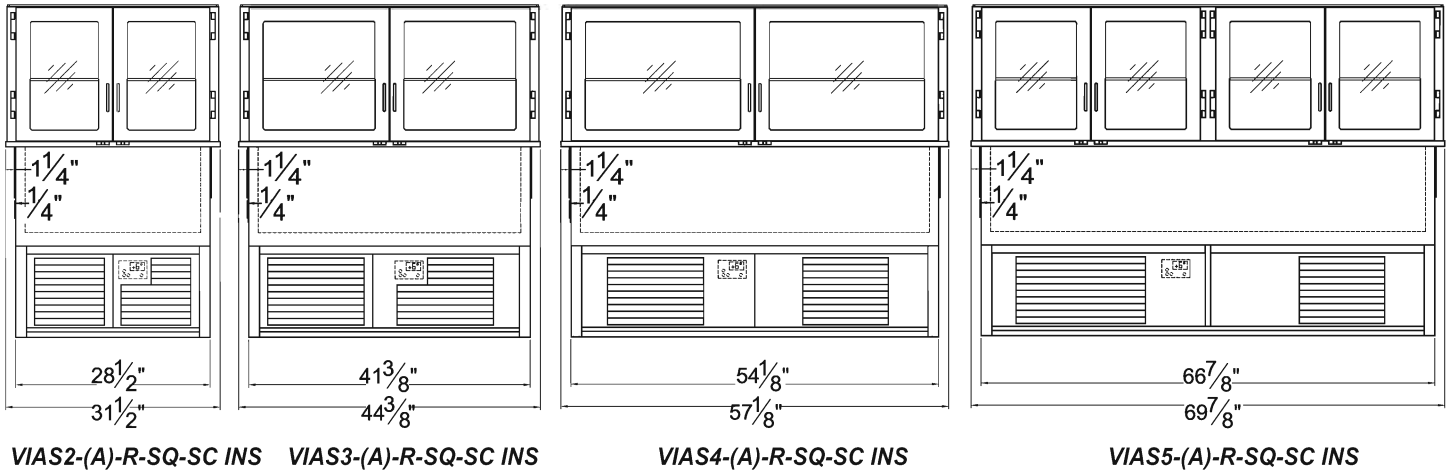
MODEL	L	D	H	HP	VOLT	AMPS	PLUG	WT	REFRIG.	DROP IN C/O SIZE	SLIDE IN C/O SIZE
VIAS2-20-R-SQ-SC INS	31 1/2	27 3/8	20 7/8	1/2	115	8.8	5-15P	462	404A	29 1/4 x 26 3/8	29 1/4 x 26 3/8
VIAS3-20-R-SQ-SC INS	44 3/8	27 3/8	20 7/8	1/2	115	9.1	5-15P	506	404A	42 1/8 x 26 3/8	42 1/8 x 26 3/8
VIAS4-20-R-SQ-SC INS	57 1/8	27 3/8	20 7/8	3/4	115/230	4.9	L14-20P	572	404A	54 7/8 x 26 3/8	54 7/8 x 26 3/8
VIAS5-20-R-SQ-SC INS	69 7/8	27 3/8	20 7/8	7/8	115/230	6.6	L14-20P	638	404A	67 5/8 x 26 3/8	67 5/8 x 26 3/8
VIAS2-27-R-SQ-SC INS	31 1/2	27 3/8	27 1/2	1/2	115	9.7	5-15P	484	404A	29 1/4 x 26 3/8	29 1/4 x 26 3/8
VIAS3-27-R-SQ-SC INS	44 3/8	27 3/8	27 1/2	3/4	115/230	5.6	L14-20P	528	404A	42 1/8 x 26 3/8	42 1/8 x 26 3/8
VIAS4-27-R-SQ-SC INS	57 1/8	27 3/8	27 1/2	7/8	115/230	7.7	L14-20P	594	404A	54 7/8 x 26 3/8	54 7/8 x 26 3/8
VIAS5-27-R-SQ-SC INS	69 7/8	27 3/8	27 1/2	1 1/4	115/230	9.1	L14-20P	660	404A	67 5/8 x 26 3/8	67 5/8 x 26 3/8
VIAS2-34-R-SQ-SC INS	31 1/2	27 3/8	34 1/4	3/4	115/230	5.4	L14-20P	528	404A	29 1/4 x 26 3/8	29 1/4 x 26 3/8
VIAS3-34-R-SQ-SC INS	44 3/8	27 3/8	34 1/4	7/8	115/230	7.3	L14-20P	572	404A	42 1/8 x 26 3/8	42 1/8 x 26 3/8
VIAS4-34-R-SQ-SC INS	57 1/8	27 3/8	34 1/4	1 1/4	115/230	9.0	L14-20P	638	404A	54 7/8 x 26 3/8	54 7/8 x 26 3/8
VIAS5-34-R-SQ-SC INS	69 7/8	27 3/8	34 1/4	1 1/4	115/230	9.6	L14-20P	704	404A	67 5/8 x 26 3/8	67 5/8 x 26 3/8

CALL TOLL FREE: 800-525-3692 (609-714-2330)

FAX: 609-714-2331 www.rpiindustries.com

220 ROUTE 70, MEDFORD, NJ 08055

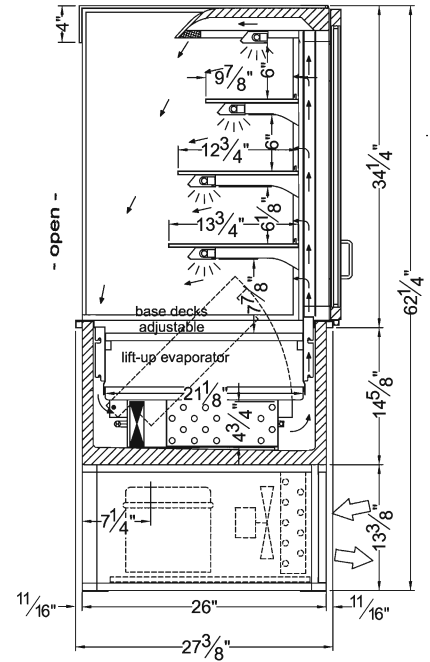
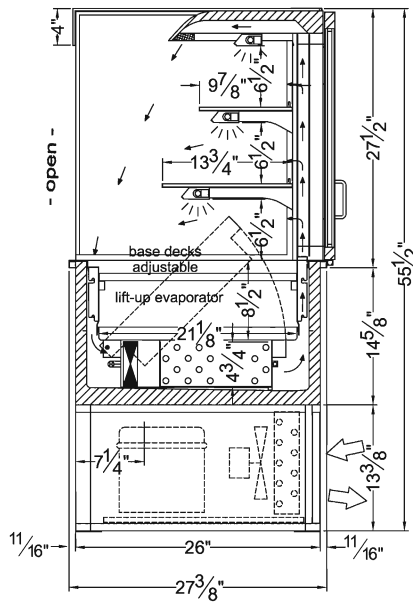
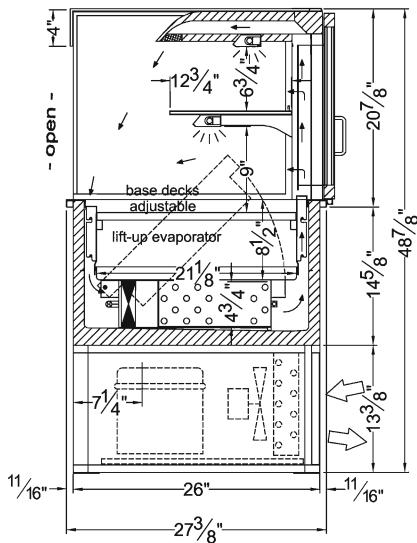
MODEL # VIAS-SQ INS SQUARED GLASS



VIAS(A)-20-R-SQ-SC INS

VIAS(A)-27-R-SQ-SC INS

VIAS(A)-34-R-SQ-SC INS

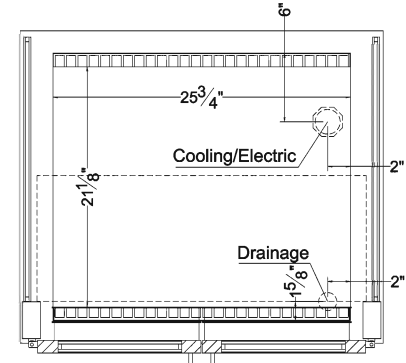


UNITS SHOWN WITH "REAR AIR BREATHING" OPTION

LARGEST DIMENSION REPRESENTS OUTSIDE FLANGE

1. A 1" diameter drain is provided. The drain **MUST** be connected to a floor drain or storage container **AT TIME OF INSTALLATION**.
2. Front and Rear ventilation louvers, each at least 25" W x 20" H, **MUST** be provided in the cabinet or counter and located so to provide full ventilation for the condensing unit.
3. The VIAS-SQ INS merchandiser is designed for use in locations where temperatures and humidity do not exceed 75 degrees and 55% R.H. Locate away from direct sunlight, rapid air currents and extreme temperature changes. Exposure to air currents from ceiling fans, air conditioners, ovens, etc. will disrupt the cases air current and refrigeration zone within. Any adverse field conditions stated above will void warranty.

RPI in line with it's policy to continually improve it's product reserves the right to change materials and specifications without notice.



CALL TOLL FREE: 800-525-3692 (609-714-2330)

FAX: 609-714-2331 www.rpiindustries.com

220 ROUTE 70, MEDFORD, NJ 08055