

ROLLING BREAD RACK

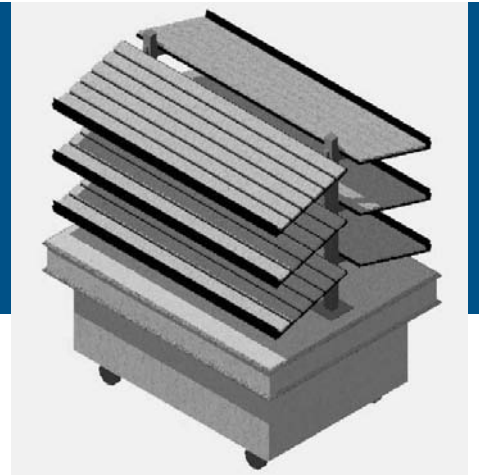
ITEM: _____ QUANTITY: _____

MODEL # SCRBC

SCRBC - Shown with standard features.

SPECIFICATIONS

The SCRBC is a wooden fabricated display unit. Constructed of furniture grade plywood. Ideal for spot merchandising.



Available depths: 37"

Available lengths: 48" 60" 72"

STANDARD FEATURES

- Oak Slat Shelves
- Standard Grade Plastic Laminate Exterior
- White Laminated Deck
- Mobile

OPTIONAL FEATURES

- Custom Finishes
- Wood Veneers (Unfinished)
- Wood Veneers (Stained & Sealed)
- Lighting Package
- Promolux Lighting (Low UV)
- Brass Trim and Hardware
- Wire Shelves
 - Brass White Black Chrome
- Bullet Feet
- Cart Bumper
- Custom Designs Available

WHEN ORDERING, PLEASE SPECIFY:

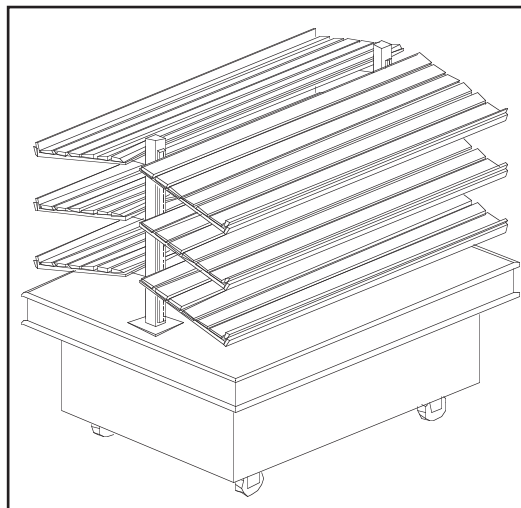
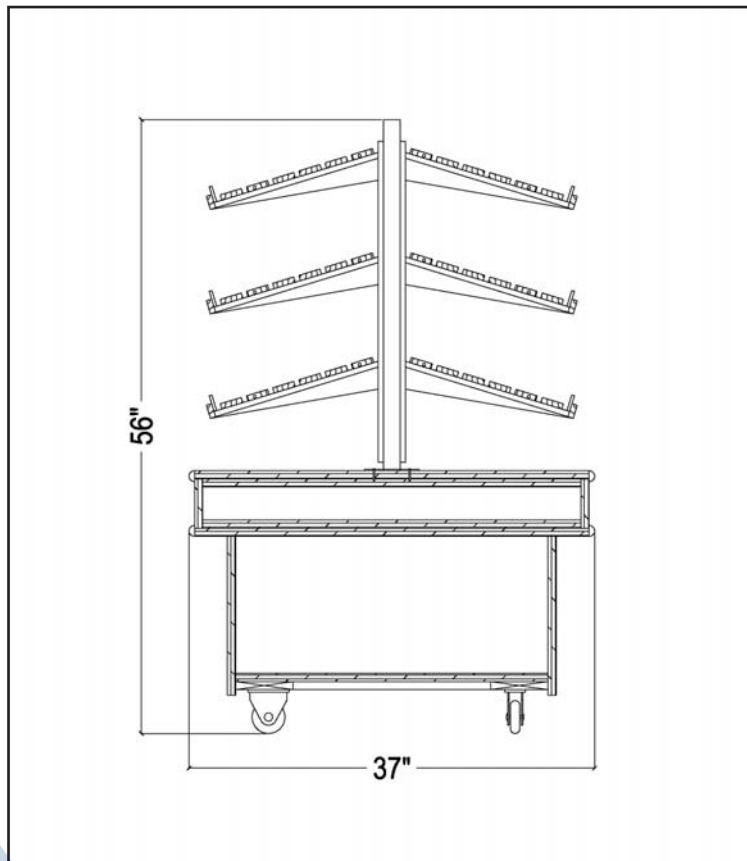
APPLICATION: _____

LAMINATE COLOR: _____

ROLLING BREAD RACK

TOLL FREE: 800-525-3692

MODEL # SCRBC



MODEL	L	D	H
SCRBC48D	48	37	56
SCRBC60D	60	37	56
SCRBC72D	72	37	56

RPI in line with its policy to continually improve its product reserves the right to change materials and specifications without notice. Any adverse conditions will affect warranty.

CALL TOLL FREE: 800-525-3692 (609-714-2330)

FAX: 609-714-2331 www.regalpinnacle.com

220 ROUTE 70, MEDFORD, NJ 08055

RPI REGAL
PINNACLE
INTEGRATIONS INDUSTRIES, INC.