

# REGENCY CANDY

ITEM: \_\_\_\_\_ QUANTITY: \_\_\_\_\_

## MODEL # SCRC

SCRC - Shown with standard features.

### SPECIFICATIONS

The SCRC is a refrigerated Confectionary display case with a choice of standard grade plastic laminate exterior ends and fixed flat front glass.



Available depths:  24"  30"

Available lengths:  48"  60"  72"  96"

### STANDARD FEATURES

- Standard Grade Laminate Exterior
- Top Canopy Light
- 3 Tempered Glass Shelves
- White Laminated Deck
- Mirrored Interior Ends
- Mirrored Rear Sliding Doors
- 115V/60/Single Phase
- Built-In Condensate Evaporator
- 134A Refrigerant
- Black Base
- Limited Base Storage
- Thermometer

### OPTIONAL FEATURES

- Stainless Steel Exterior Finish
- Special Laminates
- Wood Veneers (Unfinished)
- Wood Veneers (Stained & Sealed)
- Miscellaneous Trim
- Promolux Lighting (Low UV)
- Lights Under Shelves
- Rear Door Locks
- Brass Trim and Hardware
- Wire Shelves
  - Brass  White  Black  Chrome
- Casters
- Bullet Feet
- 5 Year Compressor Warranty
- Remote Refrigeration

### WHEN ORDERING, PLEASE SPECIFY:

APPLICATION: \_\_\_\_\_

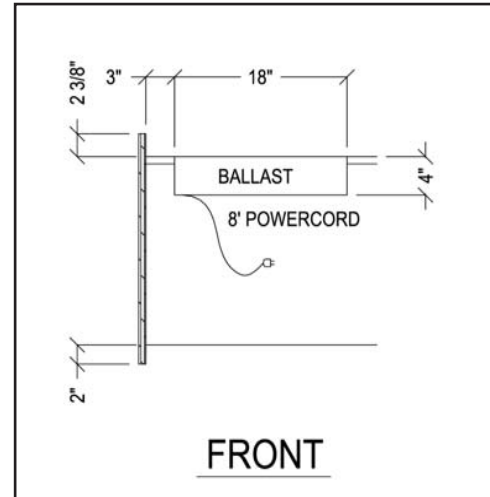
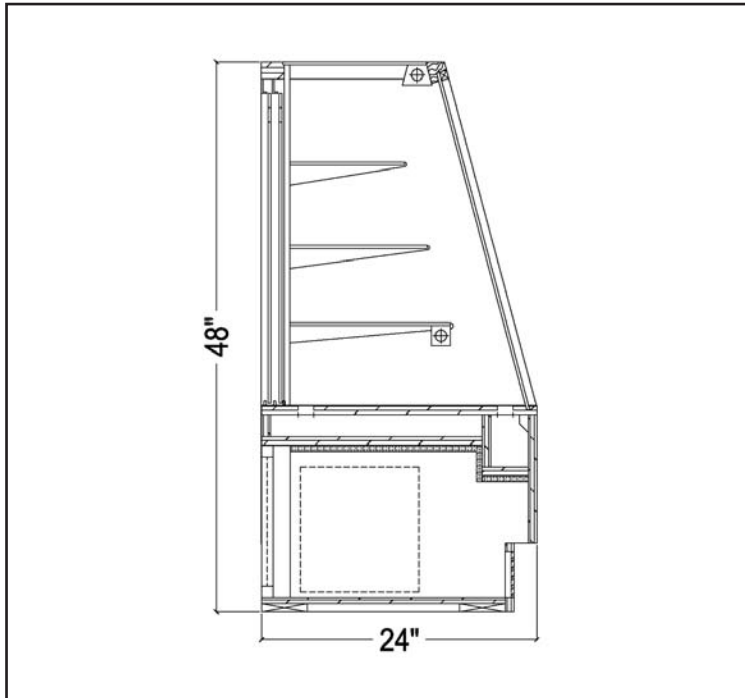
REFRIGERATION TYPE: \_\_\_\_\_

LAMINATE COLOR: \_\_\_\_\_

# REGENCY CANDY

TOLL FREE: 800-525-3692

## MODEL # SCRC



### Electrical & Plumbing locations



Refrigerated Case Display 67C9 Listed  
Also classified by Underwriters Laboratories Inc.  
In Accordance with ANSI/NSF 7-1999 and ANSI/NSF 2-1999

MODEL	L	D	H	COMP HP	VOLT	AMP	NEMA PLUG	WT
SCRC48R	48	24/30	48	1/4	115V	8.6	5-15P	450
SCRC60R	60	24/30	48	1/4	115V	8.6	5-15P	530
SCRC72R	72	24/30	48	1/4	115V	8.9	5-15P	675
SCRC96R	96	24/30	48	1/4	115V	9.8	5-15P	850
SCRC48D	48	24/30	48		115V	2.5	5-15P	275
SCRC60D	60	24/30	48		115V	2.5	5-15P	300
SCRC72D	72	24/30	48		115V	2.8	5-15P	325
SCRC96D	96	24/30	48		115V	3.0	5-15P	475

The SCRC merchandiser is designed for use in stores where temperature and humidity do not exceed 75 degrees F and 55% R. H. Locate away from direct sunlight, rapid air currents and extreme temperature changes. Confectionary cases are designed to refrigerate at 60 degrees to 67 degrees. Any adverse conditions will affect warranty.

RPI in line with it's policy to continually improve it's product reserves the right to change materials and specifications without notice.

CALL TOLL FREE: 800-525-3692 (609-714-2330)

FAX: 609-714-2331 [www.regalpinnacl.com](http://www.regalpinnacl.com)

220 ROUTE 70, MEDFORD, NJ 08055

**RPI** REGAL  
PINNACLE  
INTEGRATIONS INDUSTRIES, INC.