

MONARCH CANDY

ITEM: _____ QUANTITY: _____

MODEL # SCMC

SCMC - Shown with standard features.

SPECIFICATIONS

The SCMC is a refrigerated Confectionary display case with a choice of standard grade plastic laminate exterior ends and fixed flat front glass.



Available depths: 24" 30"

Available lengths: 48" 60" 72" 96"

STANDARD FEATURES

- Standard Grade Laminate Exterior
- Top Canopy Light
- 2 Tempered Glass Shelves
- White Laminated Deck
- Mirrored Interior Ends
- Mirrored Rear Sliding Doors
- 115V/60/Single Phase
- Built-In Condensate Evaporator
- 134A Refrigerant
- Black Base
- Limited Base Storage
- Thermometer

OPTIONAL FEATURES

- Stainless Steel Exterior Finish
- Special Laminates
- Wood Veneers (Unfinished)
- Wood Veneers (Stained & Sealed)
- Miscellaneous Trim
- Promolux Lighting (Low UV)
- Lights Under Shelves
- Rear Door Locks
- Brass Trim and Hardware
- Wire Shelves
 - Brass White Black Chrome
- Casters
- Bullet Feet
- 5 Year Compressor Warranty
- Remote Refrigeration

WHEN ORDERING, PLEASE SPECIFY:

APPLICATION: _____

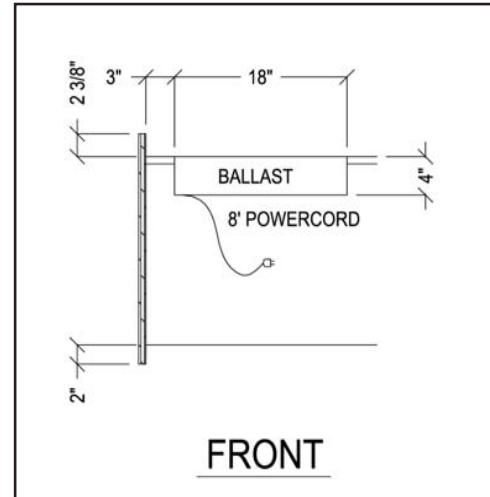
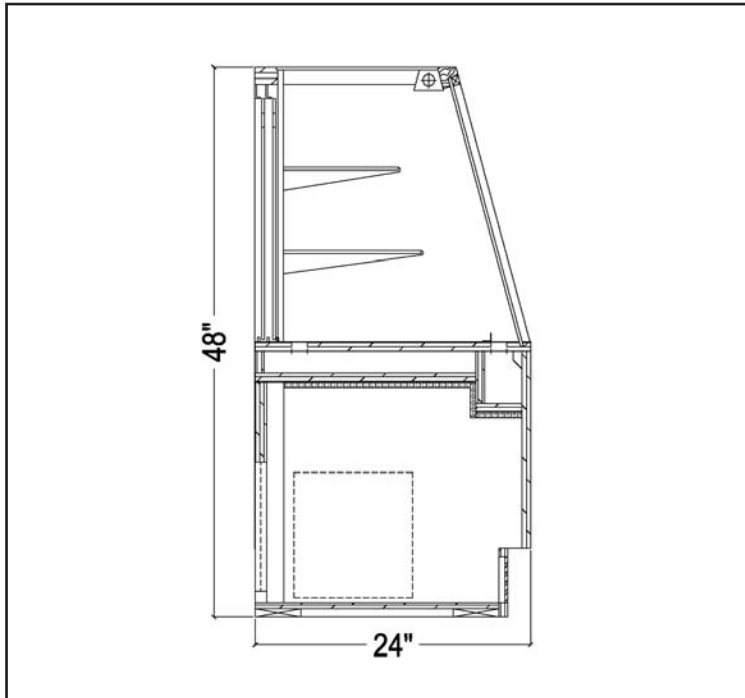
REFRIGERATION TYPE: _____

LAMINATE COLOR: _____

MONARCH CANDY

TOLL FREE: 800-525-3692

MODEL # SCMC



Electrical & Plumbing locations



Refrigerated Case Display 67C9 Listed
 Also classified by Underwriters Laboratories Inc.
 In Accordance with ANSI/NSF 7-1999 and ANSI/NSF 2-1999

MODEL	L	D	H	COMP HP	VOLT	AMP	NEMA PLUG	WT	PRICE
SCMC48R	48	24/30	48	1/4	115V	8.6	5-15P	435	\$13,300.
SCMC60R	60	24/30	48	1/4	115V	8.6	5-15P	530	\$14,000.
SCMC72R	72	24/30	48	1/4	115V	8.9	5-15P	600	\$14,500.
SCMC96R	96	24/30	48	1/4	115V	9.8	5-15P	850	\$16,200.
SCMC48D	48	24/30	48		115V	2.5	5-15P	275	\$ 9,300.
SCMC60D	60	24/30	48		115V	2.5	5-15P	300	\$ 9,800.
SCMC72D	72	24/30	48		115V	2.8	5-15P	325	\$10,000.
SCMC96D	96	24/30	48		115V	3.0	5-15P	475	\$11,400.

The SCMC merchandiser is designed for use in stores where temperature and humidity do not exceed 75 degrees F and 55% R. H. Locate away from direct sunlight, rapid air currents and extreme temperature changes. Confectionary cases are designed to refrigerate at 60 degrees to 67 degrees. Any adverse conditions will affect warranty.

RPI in line with it's policy to continually improve it's product reserves the right to change materials and specifications without notice.

CALL TOLL FREE: 800-525-3692 (609-714-2330)

FAX: 609-714-2331 www.regalpinncle.com

220 ROUTE 70, MEDFORD, NJ 08055

