

EXPRESS SELF SELECT

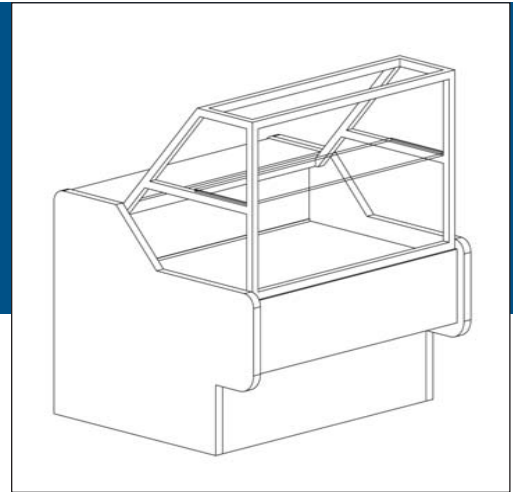
ITEM: _____ QUANTITY: _____

MONACO COLD MODEL # SCXSSC

SCXSSC - Shown with Vertical Front Glass and Sides with Stainless Steel Posts and Mezzanine Shelf (Non-Refrigerated).

SPECIFICATIONS

The SCXSS is a refrigerated open air display case with choice of standard grade plastic laminate exterior ends.



- Available depths: 43 1/2"
- Available lengths: 47 3/8" 59 3/8" 71 3/8"
 91 3/4"

STANDARD FEATURES

- Self-Contained Refrigeration
- Stainless Steel Noser Panel
- Stainless Steel Back Panel
- Standard Grade Laminate Exterior
- Stainless Steel Deck Pan
- Rear Work Ledge with Zip Lite Cutting Board
- Black Base
- Thermometer
- Built-In Condensate Evaporator
- Cord and Plug
- 115V/60/Single Phase
- UL Listed in Accordance with NSF 7
- 134A Refrigerant
- Solid End Panels with Brushed Aluminum Interior Ends

OPTIONAL FEATURES

- Stainless Steel Exterior Finish
- Special Laminates
- Wood Veneers (Unfinished)
- Wood Veneers (Stained & Sealed)
- Miscellaneous Trim
- Casters
- Bullet Feet
- Stainless Steel Step Sham
- Plexi End Panels
- Glass End Panels
- Vertical Front Glass and Sides with Stainless Steel Posts and Mezzanine Shelf (Non-Refrigerated)
- Corian Rear Work Ledge
- Zodiaq rear Work Ledge
- 5 Year Compressor Warranty
- Remote Refrigeration

WHEN ORDERING, PLEASE SPECIFY:

APPLICATION: _____

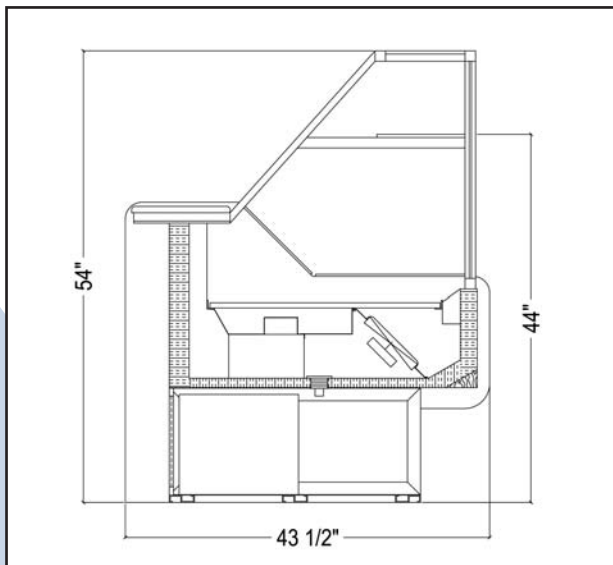
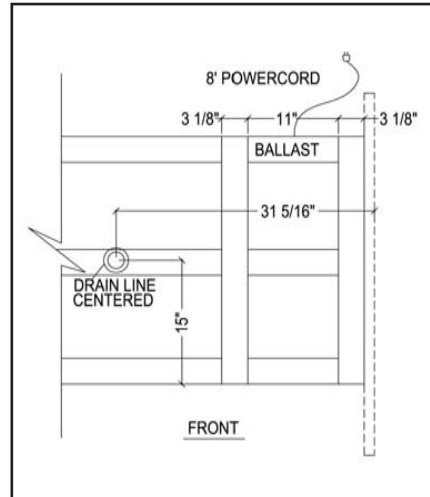
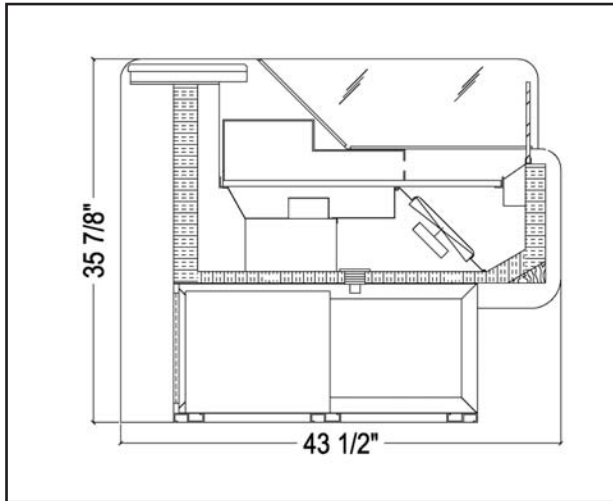
REFRIGERATION TYPE: _____

LAMINATE COLOR: _____

EXPRESS SELF SELECT

TOLL FREE: 800-525-3692

MONACO COLD MODEL # SCXSSC



Electrical & Plumbing locations



Refrigerated Case Display 67C9 Listed
Also classified by Underwriters Laboratories Inc.
In Accordance with ANSI/NSF 7-1999 and ANSI/NSF 2-1999

MODEL	L	D	H	COMP HP	VOLT	AMP	NEMA PLUG	WT
SCXSSC48R	47 3/8	43 1/2	35 7/8	1/3	115V	8.0	5-15P	375
SCXSSC60R	59 3/8	43 1/2	35 7/8	1/2	115V	9.8	5-15P	460
SCXSSC72R	71 3/8	43 1/2	35 7/8	3/4	115-208/230	12.7	L14-20	550
SCXSSC96R*	91 3/4	43 1/2	35 7/8	3/4	115-208/230	8.5	L14-20	675

* SCXSSC96R requires a floor drain. No evaporation pan available.

The SCXSSC merchandiser is designed for use in stores where temperature and humidity do not exceed 75 Degrees F and 55% R.H. Locate away from direct sunlight, rapid air currents and extreme temperature changes. Exposure to air currents from ceiling fans, air conditioners, ovens, etc. will disrupt the case's air curtain and refrigerated zone within. Any adverse conditions will affect warranty.

RPI in line with its policy to continually improve its product reserves the right to change materials and specifications without notice.

CALL TOLL FREE: 800-525-3692 (609-714-2330)

FAX: 609-714-2331 www.regalpinncle.com

220 ROUTE 70, MEDFORD, NJ 08055

RPI REGAL PINNACLE INTEGRATIONS INDUSTRIES, INC.