

# EXPRESS EURO DELI

ITEM: \_\_\_\_\_ QUANTITY: \_\_\_\_\_

## MONACO HOT MODEL # SCXMDH

SCXMDH - Shown with standard features.

### SPECIFICATIONS

The SCXMDH is a hot display case ideal for prepared foods. Available with a choice of standard grade plastic laminate exterior ends and lift-up curved tempered front glass for easy cleaning and stocking.



Available depths:  43 7/8"

Available lengths:  47 3/8"  71 3/8"  91 3/4"

NOTE: Cannot fit through a 36" opening.

### STANDARD FEATURES

- Lift-Up Glass
- Stainless Steel Noser Panel
- Standard Grade Laminate Exterior
- Top Canopy Light
- Stainless Steel Deck Pan
- Rear Work Ledge with Zip Lite Cutting Board
- Black Base
- Floor Drain Required
- Standard Pan Size Hot Well
- 4'-3 Pans /6'-5 Pans /8'-6 Pans with Common Drain Manifold
- Hardwire Direct
- Solid End Panels with Brushed Aluminum Interior Ends

### OPTIONAL FEATURES

- Stainless Steel Exterior Finish
- Special Laminates
- Wood Veneers (Unfinished)
- Wood Veneers (Stained & Sealed)
- Miscellaneous Trim
- Front Glass locks
- Rear Door Locks
- Promolux Lighting (Low UV)
- Brass Trim and Hardware
- Casters
- Bullet Feet
- Top Warming Unit
- Food Warmer
- 1/2 Glass End Panel
- Mirrored Polished Stainless Interior Ends

### WHEN ORDERING, PLEASE SPECIFY:

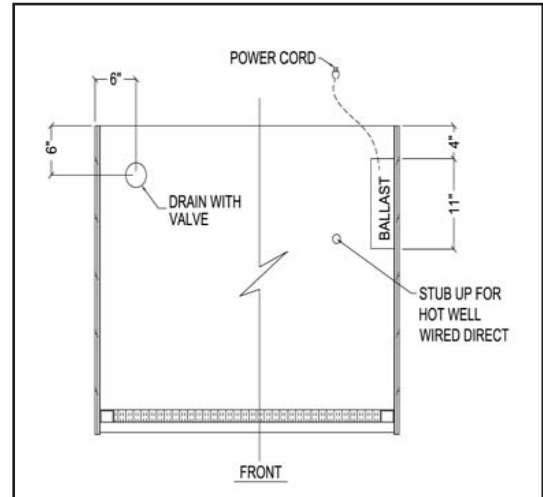
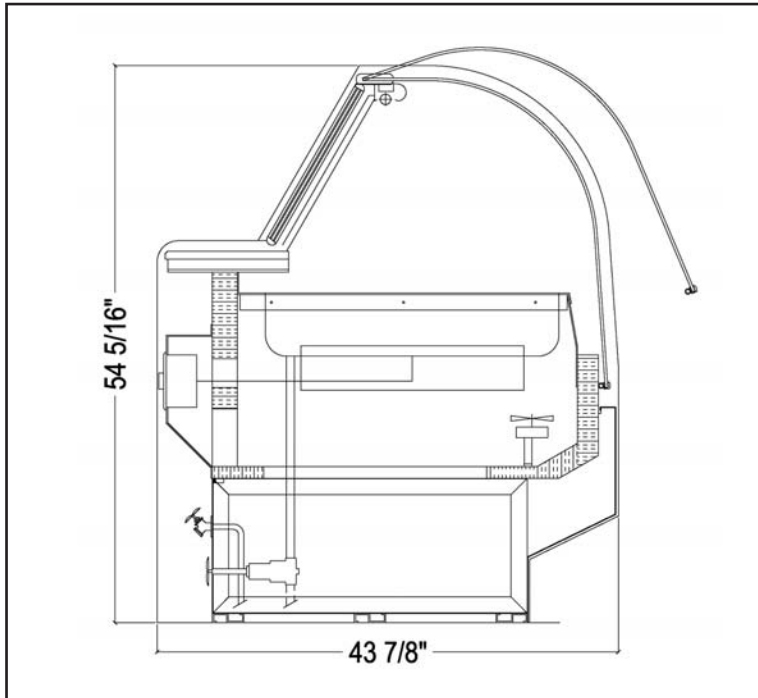
APPLICATION: \_\_\_\_\_

LAMINATE COLOR: \_\_\_\_\_

# EXPRESS EURO DELI

TOLL FREE: 800-525-3692

## MONACO HOT MODEL # SCXMDH



### Electrical & Plumbing locations



Refrigerated Case Display 67C9 Listed  
Also classified by Underwriters Laboratories Inc.  
In Accordance with ANSI/NSF 7-1999 and ANSI/NSF 2-1999

MODEL	L	D	H	VOLT	AMP	NEMA PLUG	WT	WELLS	PRICE
SCXMD48H	47 3/8	43 7/8	54 5/16	115-208/230	13	Hardwire	570	3	\$18,300.
SCXMD72H	71 3/8	43 7/8	54 5/16	115-208/230	21.1	Hardwire	745	4	\$20,500.
SCXMD96H	91 3/4	43 7/8	54 5/16	115-208/230	25.2	Hardwire	850	6	\$23,500.

The SCXMDH merchandiser is designed for use in stores where temperature and humidity do not exceed 75 Degrees and 55% R.H. Locate away from direct sunlight and extreme temperature changes. Exposure to air currents from ceiling fans, air conditioners may disrupt the performance of this case. Any adverse conditions will affect warranty.

RPI in line with its policy to continually improve its product reserves the right to change materials and specifications without notice.

CALL TOLL FREE: 800-525-3692 (609-714-2330)

FAX: 609-714-2331 [www.regalpinnacle.com](http://www.regalpinnacle.com)

220 ROUTE 70, MEDFORD, NJ 08055

