

WITH LIFT FRONT GLASS MODEL # SCLLB

SCLLB - Shown with optional wire shelves and front decorative molding.

SPECIFICATIONS

The SCLLB is a Bakery display case with a choice of standard grade plastic laminate exterior ends and curved lift-up tempered glass. Available refrigerated or non-refrigerated.



Available depths: 35 3/4"

Available lengths: 48" 60" 72" 94 1/8"

STANDARD FEATURES

- Standard Grade Laminate Exterior
- Top Canopy Light
- 3 Tempered Glass Shelves with Lights
- White Laminated Deck
- Mirrored Interior Ends
- Mirrored Rear Sliding Doors
- 115V/60/Single Phase
- UL Listed in Accordance with NSF 7
- Built-In Condensate Evaporator
- 134A Refrigerant
- Black Base
- Thermometer

OPTIONAL FEATURES

- Stainless Steel Exterior Finish
- Special Laminates
- Stainless Steel Deck
- Wood Veneers (Unfinished)
- Wood Veneers (Stained & Sealed)
- Miscellaneous Trim
- Promolux Lighting (Low UV)
- Brass Trim and Hardware
- Wire Shelves
 - Brass White Black Chrome
- Casters
- Bullet Feet
- Low Profile 42" High with Single Tier Shelf
- Rear Fold Down Work Ledge
- Rear Door Locks
- Front Glass Locks
- 5 Year Compressor Warranty
- Remote Refrigeration

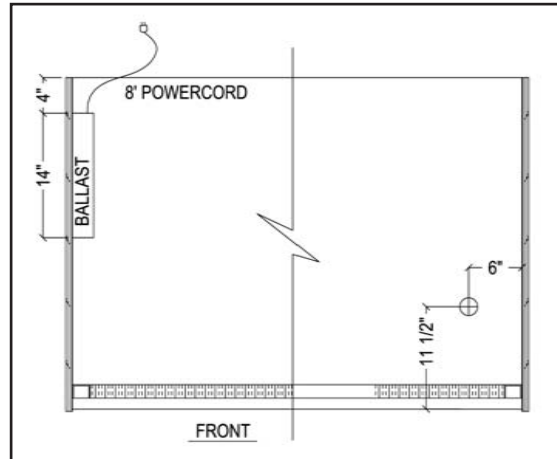
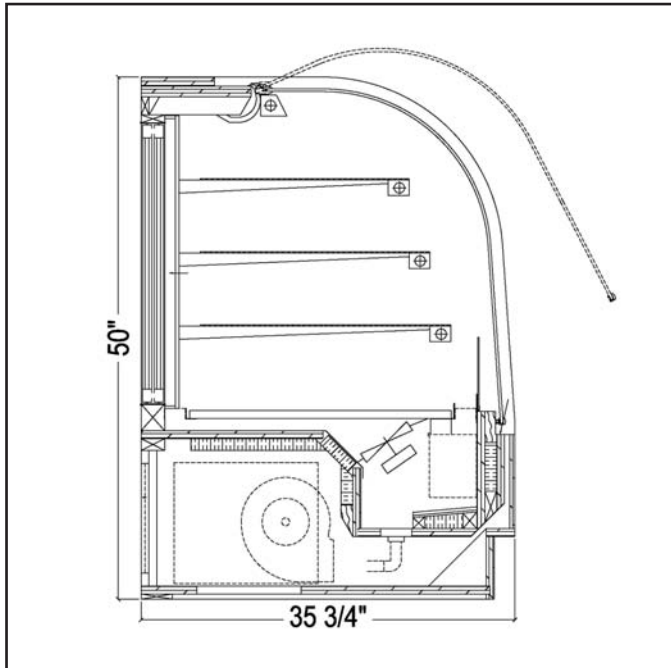
WHEN ORDERING, PLEASE SPECIFY:

APPLICATION: _____

REFRIGERATION TYPE: _____

LAMINATE COLOR: _____

WITH LIFT FRONT GLASS MODEL # SCLLB



Electrical & Plumbing locations



Refrigerated Case Display 67C9 Listed
 Also classified by Underwriters Laboratories Inc.
 In Accordance with ANSI/NSF 7-1999 and ANSI/NSF 2-1999

MODEL	L	D	H	COMP HP	VOLT	AMP	NEMA PLUG	WT
SCLLB48R	48	35 3/4	50	1/3	115V	11.5	5-15P	650
SCLLB60R	60	35 3/4	50	1/3	115V	11.5	5-15P	750
SCLLB72R	72	35 3/4	50	1/2	115V	14.5	5-20P	1000
SCLLB96R	94 1/8	35 3/4	50	1/2	115V	15.6	5-20P	1100
SCLLB48D	48	35 3/4	50		115V	1.2	5-15P	450
SCLLB60D	60	35 3/4	50		115V	1.2	5-15P	550
SCLLB72D	72	35 3/4	50		115V	1.8	5-15P	700
SCLLB96D	94 1/8	35 3/4	50		115V	2.2	5-15P	875

The SCLLB merchandiser is designed for use in stores where temperature and humidity do not exceed 75 degrees F and 55% R.H. Locate away from direct sunlight, rapid air currents and extreme temperature changes. Any adverse conditions will affect warranty. RPI in line with it's policy to continually improve it's product reserves the right to change materials and specifications without notice.

CALL TOLL FREE: 800-525-3692 (609-714-2330)

FAX: 609-714-2331 www.regalpinnacl.com

220 ROUTE 70, MEDFORD, NJ 08055