

# EXPRESS EURO DELI

ITEM: \_\_\_\_\_ QUANTITY: \_\_\_\_\_

## GENEVA MODEL # SCXMD-G3

SCXMD-G3 - Shown with optional full glass end panel.

### SPECIFICATIONS

The SCXMD-G3 is a refrigerated display case. Available with a choice of standard grade plastic laminate exterior ends and lift-up curved tempered front glass for easy cleaning and stocking.



Available depths:  43 7/8"

Available lengths:  47 3/8"  59 3/8"  71 3/8"

NOTE: Cannot fit through a 36" opening.

### STANDARD FEATURES

- Lift-Up Glass
- Self-Contained Refrigeration
- Stainless Steel Noser Panel
- Standard Grade Laminate Exterior
- Top Canopy Light
- Stainless Steel Deck Pan
- Rear Plexi Sliding Doors
- Rear Work Ledge with Zip Lite Cutting Board
- Black Base
- Thermometer
- Built-In Condensate Evaporator
- Cord & Plug
- UL Listed in Accordance with NSF 7
- 134A Refrigerant
- Solid End Panels with Brushed Aluminum Interior Ends

### OPTIONAL FEATURES

- Stainless Steel Exterior Finish
- Special Laminates
- Wood Veneers (Unfinished)
- Wood Veneers (Stained & Sealed)
- Miscellaneous Trim
- Front Glass Locks
- Rear Door Locks
- Promolux Lighting (Low UV)
- Brass Trim and Hardware
- Casters
- Bullet Feet
- Glass End Panels
  - 1/2 Glass End Panels
  - Full Glass End Panels
- Mirrored Polished Stainless Interior Ends
- Mirrored Plexi Rear Doors
- Stainless Steel Step Sham
- 5 Year Compressor Warranty
- Remote Refrigeration

### WHEN ORDERING, PLEASE SPECIFY:

APPLICATION: \_\_\_\_\_

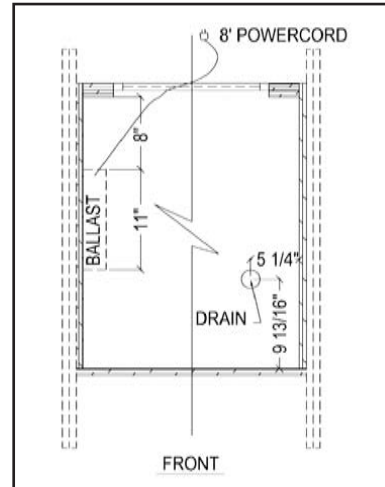
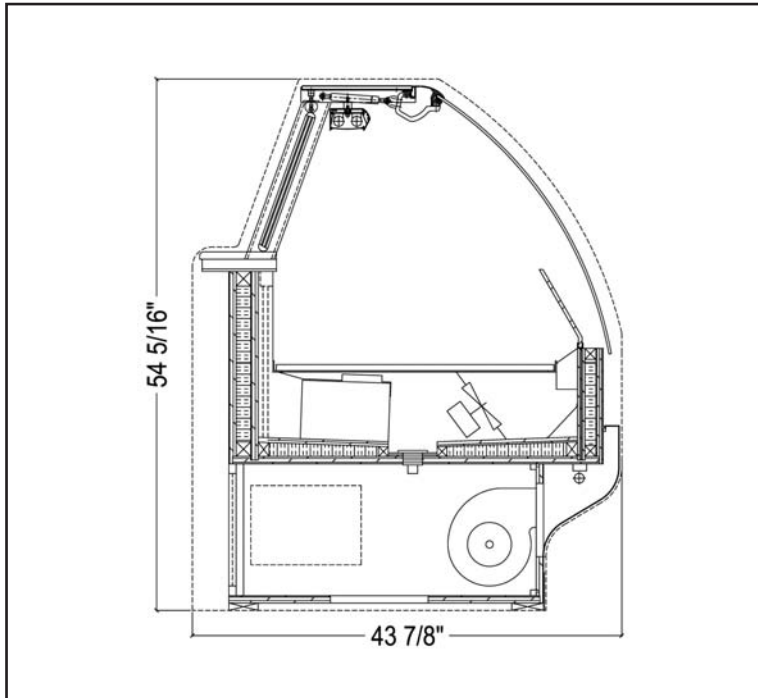
REFRIGERATION TYPE: \_\_\_\_\_

LAMINATE COLOR: \_\_\_\_\_

# EXPRESS EURO DELI

TOLL FREE: 800-525-3692

## GENEVA MODEL # SCXMD-G3



### Electrical & Plumbing locations



Refrigerated Case Display 67C9 Listed  
Also classified by Underwriters Laboratories Inc.  
In Accordance with ANSI/NSF 7-1999 and ANSI/NSF 2-1999

MODEL	L	D	H	COMP HP	VOLT	AMP	NEMA PLUG	WT
SCXMD48R-G3	47 3/8	43 7/8	54 5/16	1/3	115V	10.3	5-15P	570
SCXMD60R-G3	59 3/8	43 7/8	54 5/16	1/3	115V	10.3	5-15P	650
SCXMD72R-G3	71 3/8	43 7/8	54 5/16	1/2	(2) 115V	12.8/8.3	5-20P/5-15P	745
INSIDE WEDGE	—	—	—	Remote	115V	—	5-15P	550
OUTSIDE WEDGE	—	—	—	Remote	115V	—	5-15P	475

The SCXMD-G3 merchandiser is designed for use in stores where temperature and humidity do not exceed 75 degrees F and 55% R.H. Locate away from direct sunlight, rapid air currents and extreme temperature changes. If rear doors are removed, temperature will not remain stable. Any adverse conditions will affect warranty.

RPI in line with its policy to continually improve its product reserves the right to change materials and specifications without notice.

CALL TOLL FREE: 800-525-3692 (609-714-2330)

FAX: 609-714-2331 [www.regalpinnacl.com](http://www.regalpinnacl.com)

220 ROUTE 70, MEDFORD, NJ 08055

**RPI** REGAL  
PINNACLE  
INTEGRATIONS INDUSTRIES, INC.