

OPEN AIR MODEL # SCXSSB

SCXSSB - Shown with optional painted base.

SPECIFICATIONS

The SCXSSB is a metal frame self-service refrigerated display case with a choice of standard grade plastic laminate exterior ends.

Available depths: 37 1/2"Available lengths: 45 7/8" 57 7/8" 69 7/8"

NOTE: Cannot fit through a 36" opening.

STANDARD FEATURES

- Self-Contained Refrigeration
- Metal Framed
- Stainless Steel Noser Panel
- Stainless Steel Back
- Standard Grade Laminate Exterior
- Top Canopy Light
- 2 Tempered Glass Shelves with Lights
- Stainless Steel Deck Pans
- Brushed Aluminum Interior Ends
- Perforated Stainless Steel Back Panel for Air Flow
- Black Base
- Thermometer
- Cord & Plug
- 115V/60/Single Phase - 45 7/8" and 57 7/8" Models Only
- UL Listed in Accordance with NSF 7

OPTIONAL FEATURES

- Stainless Steel Exterior Finish
- Special Laminates
- Wood Veneers (Unfinished)
- Wood Veneers (Stained & Sealed)
- Miscellaneous Trim
- Promolux Lighting (Low UV)
- Brass Trim and Hardware
- Wire Shelves
 - Brass White Black Chrome
- Stainless Steel Shelves
- Casters
- Bullet Feet
- Rear Loading Doors
- Roll Down Night Curtain
- 5 Year Compressor Warranty
- Remote Refrigeration

WHEN ORDERING, PLEASE SPECIFY:

APPLICATION: _____

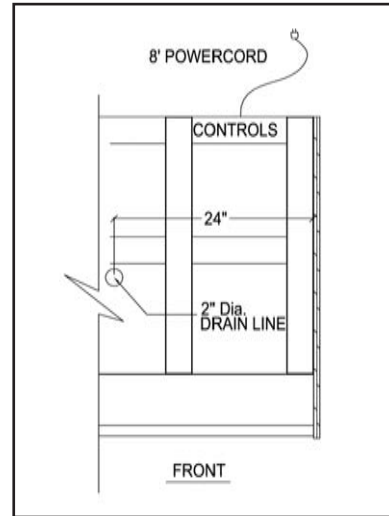
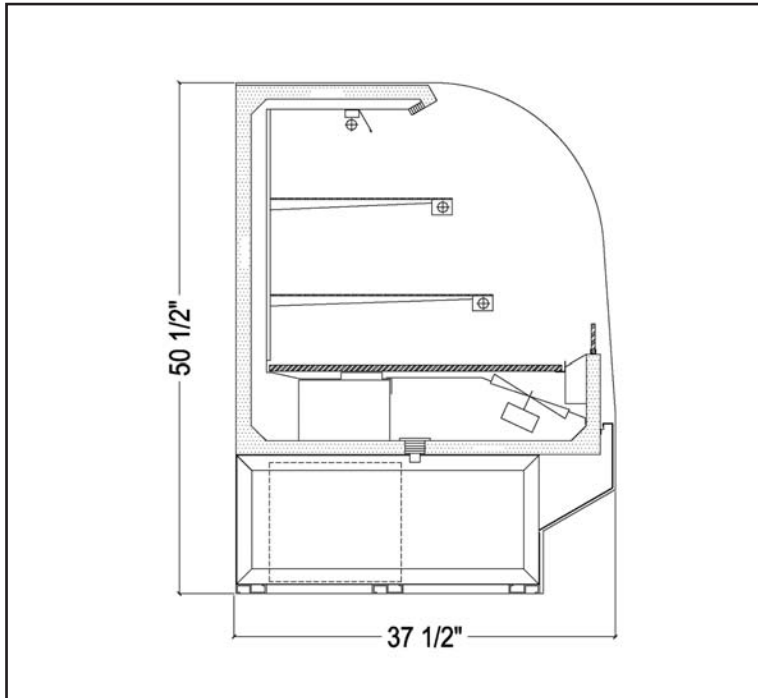
REFRIGERATION TYPE: _____

LAMINATE COLOR: _____

EXPRESS BAKERY

TOLL FREE: 800-525-3692

OPEN AIR MODEL # SCXSSB



Electrical & Plumbing locations



Refrigerated Case Display 67C9 Listed
Also classified by Underwriters Laboratories Inc.
In Accordance with ANSI/NSF 7-1999 and ANSI/NSF 2-1999

MODEL	L	D	H	COMP HP	VOLT	AMP	NEMA PLUG	WT
SCXSSB48R	45 7/8	37 1/2	50 1/2	1/2	115	11	5-15P	400
SCXSSB60R	57 7/8	37 1/2	50 1/2	1/2	115	11/8.3	(2)5-15P	450
SCXSSB72R	69 7/8	37 1/2	50 1/2	3/4	115-208/230	14.3	14-20P	500

The SCXSSB merchandiser is designed for use in stores where temperature and humidity do not exceed 75 degrees F and 55% R.H. Locate away from direct sunlight, rapid air currents and extreme temperature changes. Exposure to air currents from ceiling fans, air conditioners, ovens, etc. will disrupt the case's air curtain and refrigerated zone within. Any adverse conditions will affect warranty.

RPI in line with its policy to continually improve its product reserves the right to change materials and specifications without notice.

CALL TOLL FREE: 800-525-3692 (609-714-2330)

FAX: 609-714-2331 www.regalpinnacle.com

220 ROUTE 70, MEDFORD, NJ 08055

RPI REGAL
PINNACLE
INTEGRATIONS INDUSTRIES, INC.