

DOUBLÉ CANDY

ITEM: _____ QUANTITY: _____

MODEL # SCDC

SCDC - Shown with optional front ledge with lights and decorative vertical panels.

SPECIFICATIONS

The SCDC is a refrigerated Confectionary display case with a choice of standard grade plastic laminate exterior ends and fixed curved front glass.



Available depths: 24" 30"

Available lengths: 48" 60" 72" 96"

STANDARD FEATURES

- Standard Grade Laminate Exterior
- Top Canopy Light
- 3 Tempered Glass Shelves
- White Laminated Deck
- Mirrored Interior Ends
- Mirrored Rear Sliding Doors
- 115V/60/Single Phase
- Built-In Condensate Evaporator
- 134A Refrigerant
- Black Base
- Limited Base Storage
- Thermometer

OPTIONAL FEATURES

- Stainless Steel Exterior Finish
- Special Laminates
- Wood Veneers (Unfinished)
- Wood Veneers (Stained & Sealed)
- Miscellaneous Trim
- Promolux Lighting (Low UV)
- Lights Under Shelves
- Rear Door Locks
- Brass Trim and Hardware
- Wire Shelves
 - Brass White Black Chrome
- Casters
- Bullet Feet
- 5 Year Compressor Warranty
- Remote Refrigeration

WHEN ORDERING, PLEASE SPECIFY:

APPLICATION: _____

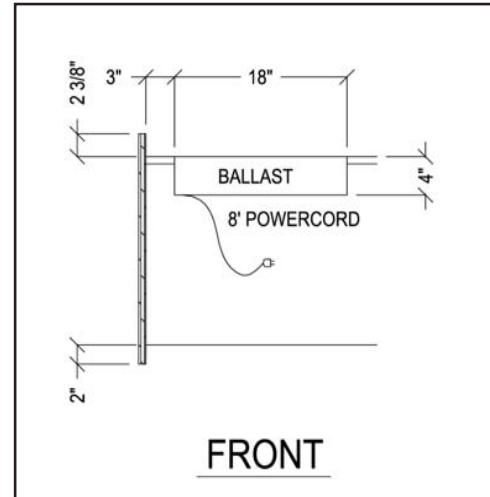
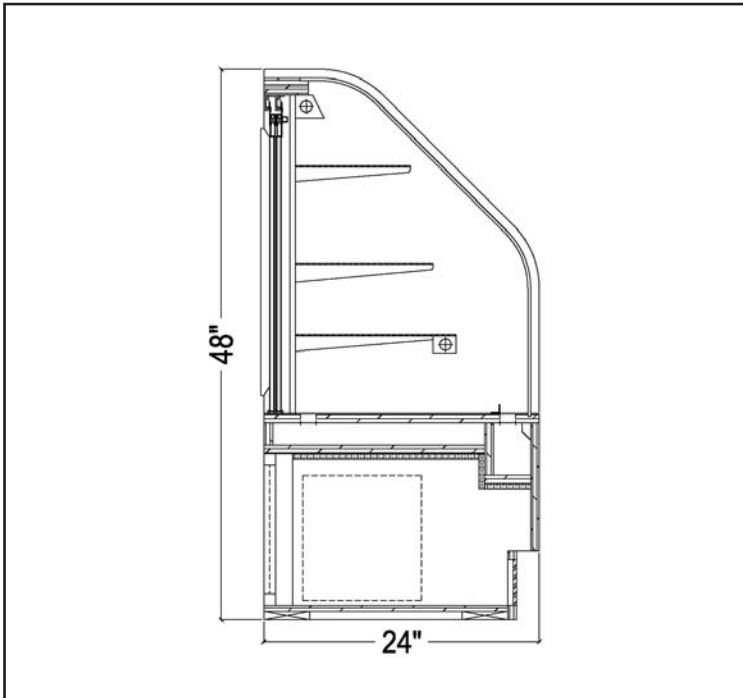
REFRIGERATION TYPE: _____

LAMINATE COLOR: _____

DOUBLÉ CANDY

TOLL FREE: 800-525-3692

MODEL # SCDC



Electrical & Plumbing locations



Refrigerated Case Display 67C9 Listed
Also classified by Underwriters Laboratories Inc.
In Accordance with ANSI/NSF 7-1999 and ANSI/NSF 2-1999

MODEL	L	D	H	COMP HP	VOLT	AMP	NEMA PLUG	WT
SCDC48R	48	24/30	48	1/4	115V	8.6	5-15P	450
SCDC60R	60	24/30	48	1/4	115V	8.6	5-15P	530
SCDC72R	72	24/30	48	1/4	115V	8.9	5-15P	675
SCDC96R	96	24/30	48	1/4	115V	9.8	5-15P	800
SCDC48D	48	24/30	48		115V	2.5	5-15P	275
SCDC60D	60	24/30	48		115V	2.5	5-15P	300
SCDC72D	72	24/30	48		115V	2.8	5-15P	325
SCDC96D	96	24/30	48		115V	3.0	5-15P	475

The SCDC merchandiser is designed for use in stores where temperature and humidity do not exceed 75 degrees F and 55% R. H. Locate away from direct sunlight, rapid air currents and extreme temperature changes. Confectionary cases are designed to refrigerate at 60 degrees to 67 degrees. Any adverse conditions will affect warranty.

RPI in line with it's policy to continually improve it's product reserves the right to change materials and specifications without notice.

CALL TOLL FREE: 800-525-3692 (609-714-2330)

FAX: 609-714-2331 www.regalpinnacl.com

220 ROUTE 70, MEDFORD, NJ 08055

