

# DIANA SERIES WINE CASE

MODEL # A1DIANA B/R

ITEM: \_\_\_\_\_ QUANTITY: \_\_\_\_\_

## SPECIFICATIONS

*Unique design allows merchandising a variety of covered prepared foods, cheeses, fruits or chocolates, in top section, with multiple temperature refrigerated lower sections for red or white wines. Lower right slide out drawer is ideal for backup ambient unit storage or serving utensils.*



*Shown with standard features.*

## STANDARD FEATURES

- Solid Wood Framework Available in Dark Walnut or Cherry Finish
- Solid Wood Pull-Out Serving Shelf
- Pull-Out Middle Sliding Shelf in Wine Compartments
- Static Refrigeration With Finned Evaporator and Condensate Pan
- 92 Bottle Capacity
- Digital Temperature Control With Automatic Defrost
- Lighting in All Compartments
- Tempered Glass Mezzanine Shelf in Top Section With Lift-Up Front Glass For Serving

## OPTIONAL FEATURES

- Casters
- 5-Year Compressor Warranty

## DIMENSIONS

Length: 53" x Depth: 25.5" x Height: 61"

## WHEN ORDERING, PLEASE SPECIFY:

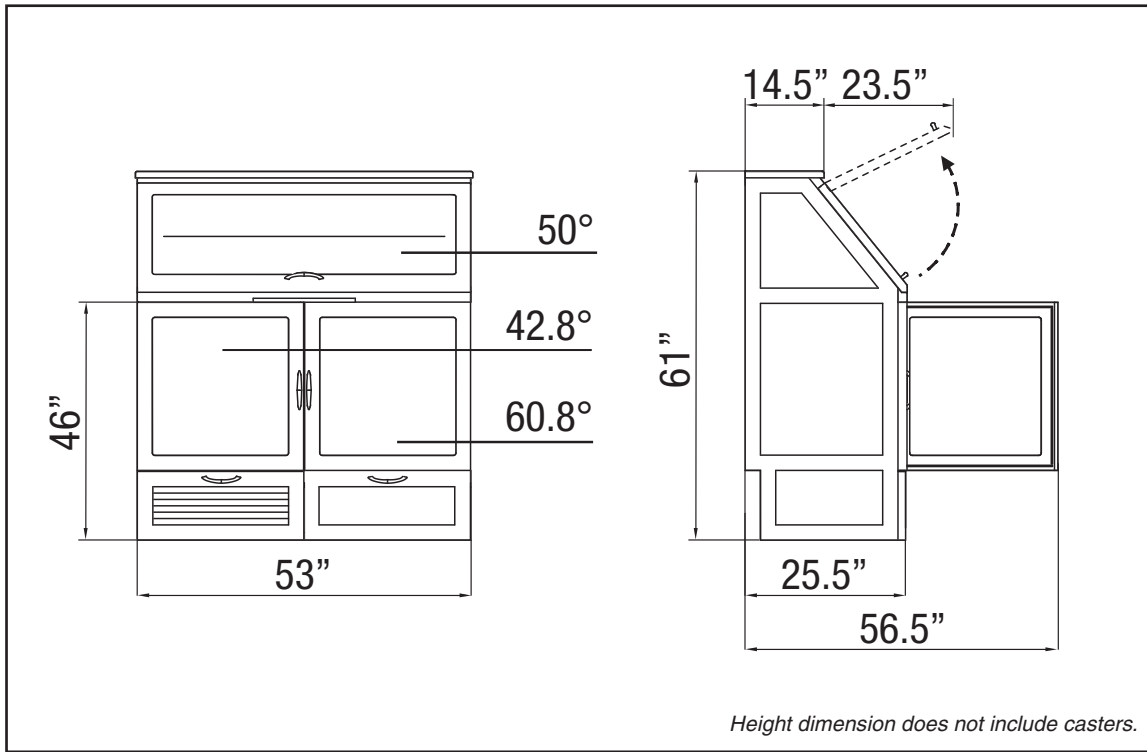
APPLICATION: \_\_\_\_\_

WOOD STAIN COLOR: \_\_\_\_\_

# DIANA SERIES WINE CASE

MODEL # A1DIANA B/R

TOLL FREE: 800-525-3692



MODEL	L	D	H	VOLT	AMP	NEMA PLUG	WT
A1DIANA B/R	53"	25.5"	61"	115V	4.61	5-15P	358

RPI refrigerated cases are designed for use where temperature and humidity do not exceed 75 Degrees Fahrenheit and 55% relative humidity.

Vertical display not recommended for long term wine storage.

RPI, in line with it's policy to continually improve it's products, reserves the right to change materials or specifications without notice.

CALL TOLL FREE: 800-525-3692 (609-714-2330)

FAX: 609-714-2331 [www.regalpinnacle.com](http://www.regalpinnacle.com)

220 ROUTE 70, MEDFORD, NJ 08055

