

COUNTER TOP DISPLAY

PROJECT: _____
ITEM: _____ QUANTITY: _____

MODEL # CTPD

SPECIFICATIONS

The Counter Top Display CTPD Series is a non-refrigerated curved glass display unit designed for counter top applications. Unit comes standard with fixed curved front glass and solid end panels. Optional solid end panels with mirrored #8 Stainless Steel and 3/8" plexiglass vision end panels, along with a variety of interior and exterior finishes are also available.



Available lengths: 36" 48" 60" 72" 96"

Available depths: 28 1/2"

Available heights: 26 1/4"



STANDARD FEATURES

- Curved Glass Profile
- Standard Grade Laminate Exterior
- Solid End Panels
- Mirrored Interior Ends
- White Laminated Deck
- Top Canopy Light
- (2) Tempered Glass Shelves
- Mirrored Rear Sliding Doors (Hinged Doors for 3' Units)
- 8' Cord and Plug
- 1 Year Parts and Labor Warranty

OPTIONAL FEATURES

- Stainless Steel Exterior Finish
 - #4 #6 #8
- Special Laminates
- Wood Veneers (Unfinished)
- Wood Veneers (Stained & Sealed)
- Miscellaneous Trim
- Promolux Lighting (Low UV)
- Energy Efficient LED Lighting
- Solid End Panels with Mirrored Polished Stainless Steel Interior Ends (#8 Finish)
- Stainless Steel Laminated Deck
- 3/8" Plexiglass Vision End Panels

CALL TOLL FREE: 800-525-3692 (609-714-2330)

FAX: 609-714-2331 www.rpiindustries.com

220 ROUTE 70, MEDFORD, NJ 08055

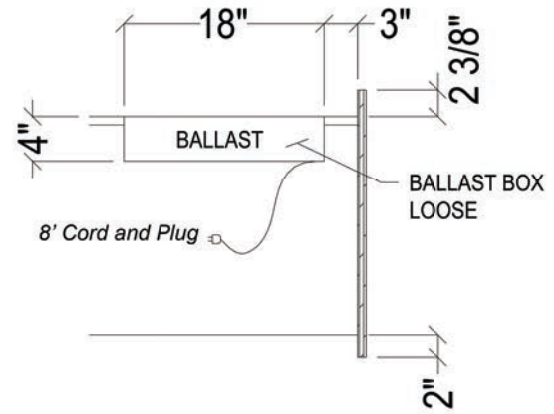
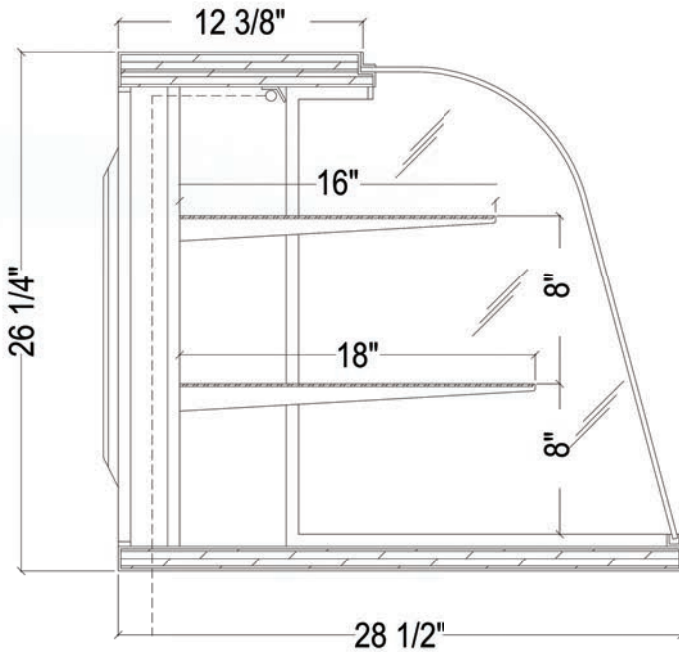
RPI INDUSTRIES, INC. v1.13

COUNTER TOP DISPLAY

PROJECT: _____

TOLL FREE: 800-525-3692

MODEL # CTPD



Electrical & Plumbing locations

UNIT SHOWN WITH OPTIONAL
3/8" PLEXIGLASS VISION END PANELS



Conforms to UL Standard 65,
and NSF Standard 2

MODEL	L	D	H	VOLT	AMP	PLUG	WT
CTPD36D	36	28 1/2	26 1/4	115	1.0	5-15P	140
CTPD48D	48	28 1/2	26 1/4	115	1.0	5-15P	200
CTPD60D	60	28 1/2	26 1/4	115	1.5	5-15P	260
CTPD72D	72	28 1/2	26 1/4	115	2.0	5-15P	315
CTPD96D	96	28 1/2	26 1/4	115	2.0	5-15P	420

The CTPD merchandiser is designed for use in stores where temperature and humidity do not exceed 75 degrees Fahrenheit and 55% R. H. Locate away from direct sunlight, rapid air currents and extreme temperature changes. Exposure to air currents from ceiling fans, air conditioners, ovens, etc. will disrupt the case's air curtain and refrigerated zone. Any adverse field conditions stated above will void warranty.

RPI in line with it's current policy to continually improve it's product reserves the right to change materials and specifications without notice.

CALL TOLL FREE: 800-525-3692 (609-714-2330)

FAX: 609-714-2331 www.rpiindustries.com

220 ROUTE 70, MEDFORD, NJ 08055

RPI INDUSTRIES, INC. v1.13