

## MODEL # SCGD

SCGD - Shown with optional wood exterior, stone top and overlay moldings.

### SPECIFICATIONS

The SCGD is a gravity coil Deli display case with a choice of standard grade laminate exterior ends and insulated curved front glass.



Available depths:  38"

Available lengths:  36"  48"  60"

72"  96"

NOTE: Cannot fit through a 36" opening.

#### STANDARD FEATURES

- Curved Insulated Fixed Glass
- Standard Grade Laminate Exterior
- Top Canopy Light
- 2 Stainless Steel Shelves with Lights
- Stainless Steel Deck Pan
- Mirrored Interior Ends
- Mirrored Rear Sliding Doors
- 115V/60/Single Phase
- UL Listed in Accordance with NSF 7
- Built-In Condensate Evaporator
- 134A Refrigerant
- Black Base
- Separate Electrical Outlet on Rear
- Thermometer

#### OPTIONAL FEATURES

- Stainless Steel Exterior Finish
- Special Laminates
- Wood Veneers (Unfinished)
- Wood Veneers (Stained & Sealed)
- Miscellaneous Trim
- Promolux Lighting (Low UV)
- Wire Shelves
  - White  Chrome
- Casters
- Bullet Feet
- Corian or Stone Top
- Rear Fold Down Sani Board
- Top Mount Scale Shelf
- Rear Door Locks
- 5 Year Compressor Warranty
- Remote Refrigeration

#### WHEN ORDERING, PLEASE SPECIFY:

APPLICATION: \_\_\_\_\_

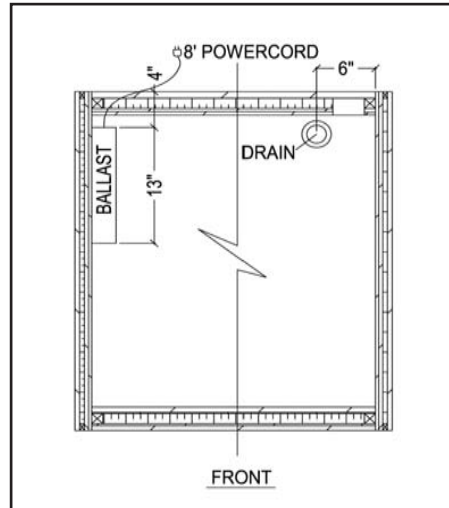
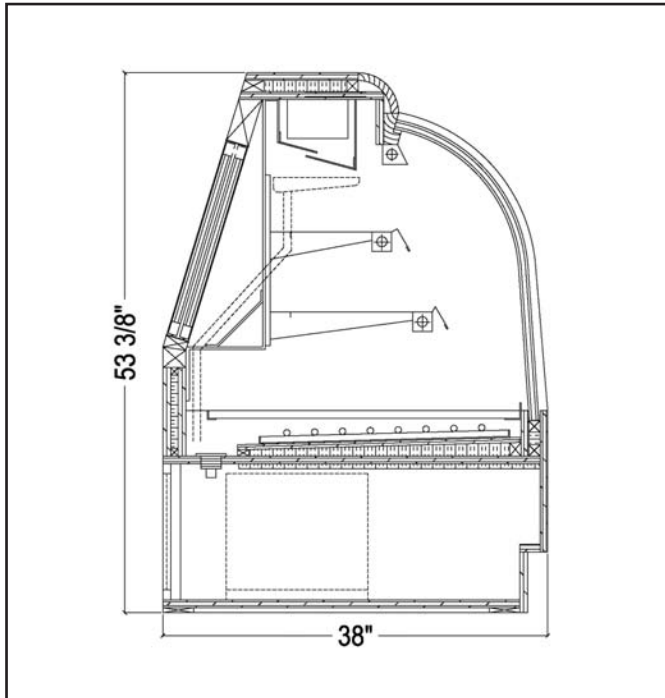
REFRIGERATION TYPE: \_\_\_\_\_

LAMINATE COLOR: \_\_\_\_\_

# BROADWAY DELI

TOLL FREE: 800-525-3692

## MODEL # SCGD



### Electrical & Plumbing locations



Refrigerated Case Display 67C9 Listed  
 Also classified by Underwriters Laboratories Inc.  
 In Accordance with ANSI/NSF 7-1999 and ANSI/NSF 2-1999

MODEL	L	D	H	COMP HP	VOLT	AMP	NEMA PLUG	WT
SCGD36R	36	38	53 3/8	1/3	115V	10.0	5-15P	600
SCGD48R	48	38	53 3/8	1/3	115V	10.0	5-15P	700
SCGD60R	60	38	53 3/8	1/2	115V	12.0	5-15P	800
SCGD72R	72	38	53 3/8	1/2	(2)115V	12.0/8.3	5-20P/5-15P	900
SCGD96R*	96	38	53 3/8	1/2	115V	12.5	5-20P	1100

\* SCGD96R requires a floor drain. No evaporation pan available.

The SCGD merchandiser is designed for use in stores where temperature and humidity do not exceed 75 degrees F and 55% R. H. Locate away from direct sunlight, rapid air currents and extreme temperature changes. Any adverse conditions will affect warranty.

RPI in line with it's policy to continually improve it's product reserves the right to change materials and specifications without notice.

Electrical outlet on rear of case is designed for 2 amps or less.

CALL TOLL FREE: 800-525-3692 (609-714-2330)

FAX: 609-714-2331 [www.regalpinnacle.com](http://www.regalpinnacle.com)

220 ROUTE 70, MEDFORD, NJ 08055

