

EXPRESS EURO DELI

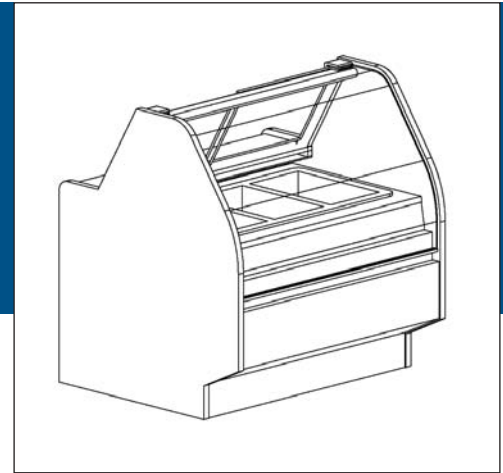
ITEM: _____ QUANTITY: _____

ANNAPOLIS HOT MODEL # SCXADH

SCXADH - Shown with standard features.

SPECIFICATIONS

The SCXADH is a hot display case ideal for prepared foods. Available with a choice of standard grade plastic laminate exterior ends and lift-up curved tempered front glass for easy cleaning and stocking.



Available depths: 43 7/8"

Available lengths: 50 5/8" 62 5/8" 74 3/4"
 98 3/4"

NOTE: Cannot fit through a 36" opening.

STANDARD FEATURES

- Lift-Up Glass
- Stainless Steel Noser Panel
- Stainless Steel Back
- Standard Grade Laminate Exterior
- Top Canopy Light
- Stainless Steel Deck Pan
- Rear Work Ledge with Zip Lite Cutting Board
- Black Base
- Floor Drain Required
- Standard Pan Size Hot Well
- 4'-3 Pans /6'-5 Pans /8'-6 Pans with Common Drain Manifold
- Hardwire Direct
- Solid End Panels with Brushed Aluminum Interior Ends

OPTIONAL FEATURES

- Stainless Steel Exterior Finish
- Special Laminates
- Wood Veneers (Unfinished)
- Wood Veneers (Stained & Sealed)
- Miscellaneous Trim
- Front Glass locks
- Rear Door Locks
- Promolux Lighting (Low UV)
- Brass Trim and Hardware
- Casters
- Bullet Feet
- Top Warming Unit
- Food Warmer
- 1/2 Glass End Panel
- Mirrored Polished Stainless Interior Ends

WHEN ORDERING, PLEASE SPECIFY:

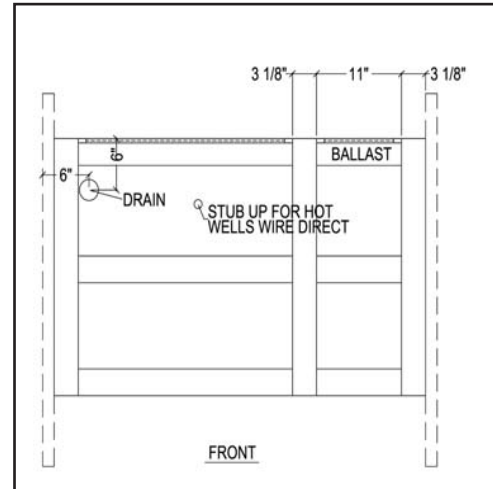
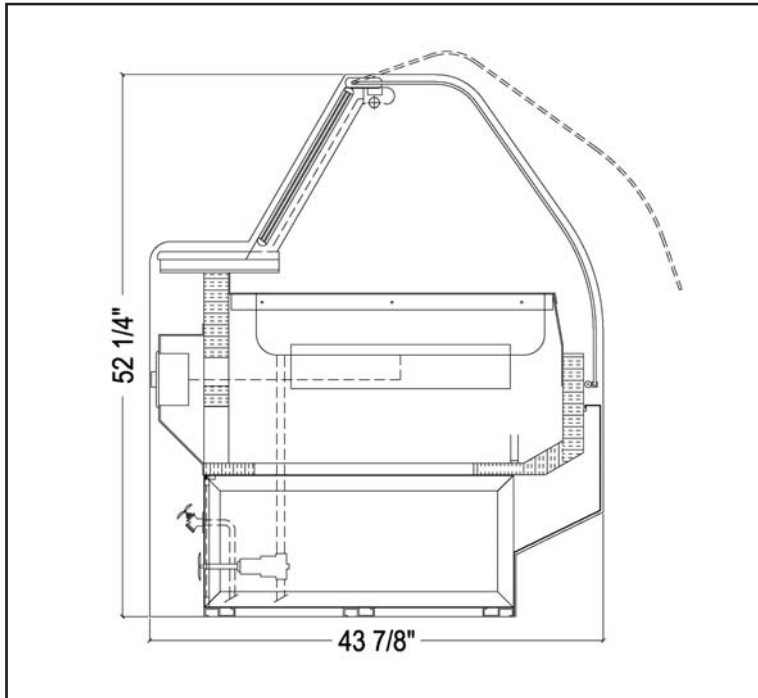
APPLICATION: _____

LAMINATE COLOR: _____

EXPRESS EURO DELI

TOLL FREE: 800-525-3692

ANNAPOLIS HOT MODEL # SCXADH



Electrical & Plumbing locations



Refrigerated Case Display 67C9 Listed
Also classified by Underwriters Laboratories Inc.
In Accordance with ANSI/NSF 7-1999 and ANSI/NSF 2-1999

MODEL	L	D	H	VOLT	AMP	NEMA PLUG	WT	WELLS	PRICE
SCXAD48H	50 5/8	43 7/8	52 1/4	115-208/230	15.4	Hardwire	700	3	\$19,500.
SCXAD60H	62 5/8	43 7/8	52 1/4	115-208/230	17.4	Hardwire	780	4	\$20,500.
SCXAD72H	74 3/4	43 7/8	52 1/4	115-208/230	22.4	Hardwire	850	5	\$21,900.
SCXAD96H	98 3/4	43 7/8	52 1/4	115-208/230	25.5	Hardwire	1000	6	\$23,950.

The SCXADH merchandiser is designed for use in stores where temperature and humidity do not exceed 75 Degrees and 55% R.H. Locate away from direct sunlight and extreme temperature changes. Exposure to air currents from ceiling fans, air conditioners may disrupt the performance of this case. Any adverse conditions will affect warranty.

RPI in line with it's policy to continually improve it's product reserves the right to change materials and specifications without notice.

CALL TOLL FREE: 800-525-3692 (609-714-2330)

FAX: 609-714-2331 www.regalpinnacle.com

220 ROUTE 70, MEDFORD, NJ 08055

