

755 SERIES MULTI-DISPLAY TIMERS



755-HM16

SIMPLE TO USE TIMERS:

The 755 Series Multi-Display Timers include three economical, single-function timers in eight, ten and sixteen channel models.

These easy-to-use timers count down or up in minutes and seconds, or hours and minutes. Each channel has its own display, and can be programmed independently. Slide in replaceable menu strips identify the product being timed on each channel, and replace as restaurant menu changes.

Prince Castle Timers are easy to program and simple to use. The push of a button activates each channel; an audible alarm and flashing channel button alert the operator when timing is complete. Operators also have the option to program a preliminary alarm to warn the end of the timing cycle is near.

Prince Castle timers are backed by a one-year parts and labor warranty.

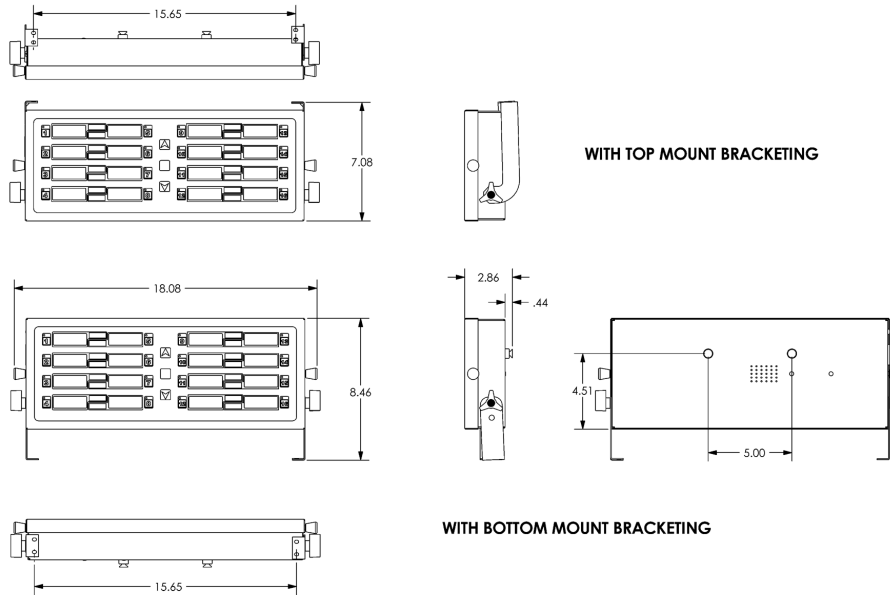
STANDARD FEATURES:

- Each channel counts down or up in minutes and seconds, or hours and minutes.
- Each channel has its own display - capable of displaying both alpha and numeric characters.
- Toggles between countdown (or count-up) time and duty function.
- Each channel capable of sorting two different programs.
- Features an alert alarm to warn, "the end is near".
- Removable identification strips can be easily changed to accommodate new menu items.
- Program time and one duty function per channel.
- 8 programmable volume levels.
- Transformer built into housing (no fat plug).
- One-year parts and labor warranty.

755 SERIES MULTI-DISPLAY TIMERS

SPECIFICATIONS

LAYOUT:



Designs and specifications are subject to change without notice.

DIMENSIONS:

Model Number	Width in (cm)	Height in (cm)	Depth in (cm)	Shipping Weight lb (kg)	Shipping cu.ft. (cu.m.)
755-HM8	14.69 (37.30)	7.06 (17.90) Top Mount 6.15 (15.60) Bottom Mount	2.77 (7.00)	5.80 (2.60)	.20 (.01)
755-HM10	18.17 (46.10)	6.56 (16.6) Top Mount 6.71 (17.00) Bottom Mount	2.86 (7.20)	5.80 (2.60)	.20 (.01)
755-HM16 755-HM16CE	18.08 (45.90)	7.08 (17.90) Top Mount 8.46 (21.40) Bottom Mount	2.86 (7.20)	7.30 (3.30)	.30 (.01)

ELECTRICAL INFORMATION:

Model	Description	Volts (Single Phase)	HZ.	Watts	AMPS	Plug Number
755-HM8	8-Channel Multi-Display Timer	100-240	50/60	25 max	.10 max	NEMA 5-15P
755-HM10	10-Channel Multi-Display Timer	100-240	50/60	25 max	.10 max	NEMA 5-15P
755-HM16	16-Channel Multi-Display Timer	100-240	50/60	25 max	.10 max	NEMA 5-15P
755-HM16CE	16-Channel Multi-Display Timer	100-240	50/60	25 max	.10 max	CEE-17

CERTIFICATIONS:

