

## CW-SERIES CITRUS SABER®



CW-Series

### CITRUS WEDGING SYSTEM:

The Prince Castle CW-Series Citrus Saber® is an economical solution to wedging, perfectly sectioning fruits and vegetables, including lemons, limes and tomatoes into perfect portions. The Citrus Saber® is the ideal choice for drinks, salads and garnishes. The Citrus Saber® is perfect for operations with minimal counter space due to its compact size.

The Citrus Saber® is constructed of high-impact plastic, making it extremely durable. It is easy to clean and use, and includes an 8 section wedge. Available in both yellow and black.

### STANDARD FEATURES:

- Produces uniform and attractive wedges.
- Easy to use.
- Stainless steel blades recessed deep into handle, ensuring safer operation.
- Simple to clean - just rinse.
- Constructed of high-impact, durable plastic.

### AVAILABLE MODELS:

- CW-1 Black Citrus Saber®
- CW-6 Yellow Citrus Saber®



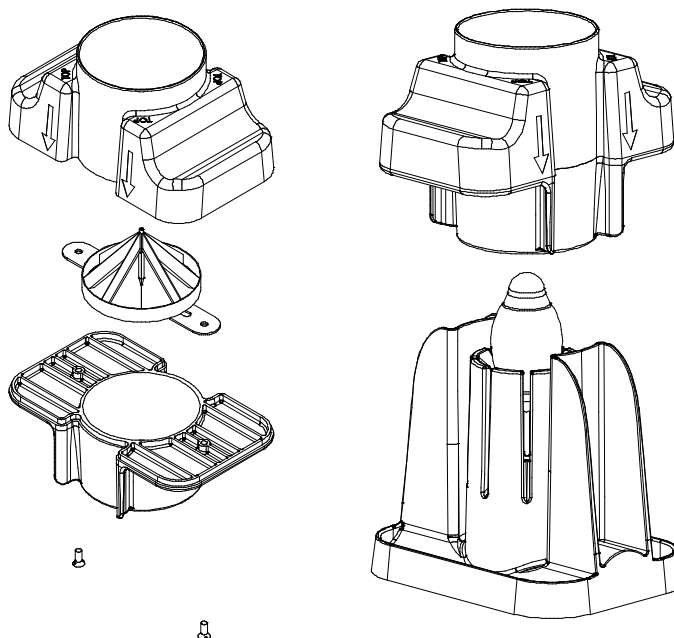
CW-1

CW-6

# CW-SERIES CITRUS SABER®

## SPECIFICATIONS

### LAYOUT:



Designs and specifications are subject to change without notice.

### DIMENSIONS:

Model Number	Width in (cm)	Height in (cm)	Length in (cm)	Shipping Weight lb (kg)	Shipping Cube cu.ft. (cu.m)
CW-Series	8.00 (20.30)	7.03 (17.80)	8.03 (20.40)	2.00 (1.00)	.90 (.03)

### ORDERING INFORMATION:

Model	Description
CW-1	Citrus Saber® - Black (8 section wedger)
CW-6	Citrus Saber® - Yellow (8 section wedger)
925-059S	Replacement Blade Set for Citrus Saber®

### CERTIFICATIONS:

