

965-C CHICKEN SLICER



965-C

PERFECTLY SLICED CHICKEN:

Prince Castle model 965-C Chicken Slicer is designed to deliver perfectly sliced boneless chicken. Simply place

a piece of cooked boneless chicken on the frame and firmly press down on the handle, creating uniform slices every time, perfect for specialty salads and more.

Simple to operate, the Chicken Slicer saves time and money in the kitchen. This safe and easy-to-use unit eliminates the need for slicing chicken with dangerous knives.

Constructed of aluminum and stainless steel, the chicken slicer is easy to clean -- use a soft brush and soapy water, rinse and dry thoroughly. The Prince Castle Chicken Slicer is also dishwasher safe.

This product is warranted to be free from defects in material and/or workmanship at time of delivery only.

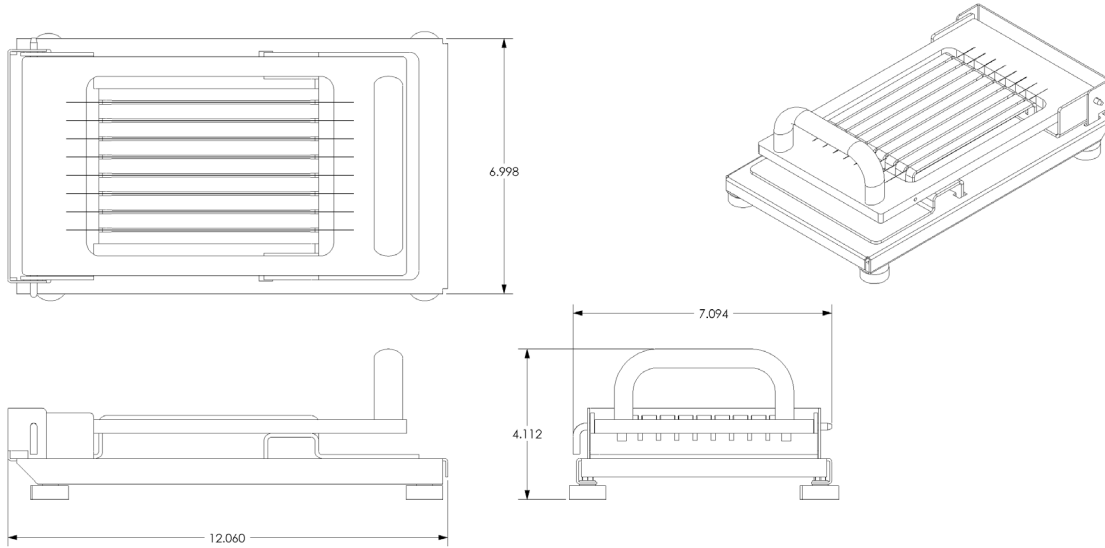
STANDARD FEATURES:

- Designed to cut cooked chicken filets into strips
- Produces perfectly uniform 1/2" slices every time -- ideal for specialty salads and other menu items -- Blades are 301 Stainless Steel
- Quality design and construction
- Time and money saving unit
- Smooth and effortless operation
- Easy to maintain - no tools required
- Quick and easy clean up

965-C CHICKEN SLICER

SPECIFICATIONS

LAYOUT:



Designs and specifications are subject to change without notice.

DIMENSIONS:

Model Number	Width in (cm)	Height in (cm)	Length in (cm)	Shipping Weight lb (kg)	Shipping cu.ft. (cu.m)
965-C	6.90 (17.50)	4.10 (40.40)	12.10 (30.60)	6.00 (2.70)	.33 (.01)

ORDERING INFORMATION:

Model	Description
965-C	Chicken Slicer - 1/2" Slices
965-129S	Replacement Slicing Bars

CERTIFICATIONS:

