

164-A
MANUAL GRILL
TOOL SHARPENER



Model 164-A

Give a sharp, straight edge to scrapers and spatulas quickly and easily with the Prince Castle's Manual Grill Tool Sharpener. Simply insert the tool into the sharpener, and slide back and forth over the sharpening file for a perfect edge every time. Safe to use, the model 164-A features non-skid feet and easy grip handles.

Precision edges on grill tools allow you to quickly clean up your grill with less effort and no scratching. Sharp spatulas pick up meat cleanly without tearing, and sharp tools clean grill surfaces better, eliminating excess carbon that can affect food flavor.

STANDARD FEATURES

- n Helps Redi-Grill® blades and spatulas stay sharper longer.
- n Makes grill maintenance fast and easy by keeping tools sharp.
- n One-year warranty.

OPTIONS

Part No.	Description
578-300	Sharpener Stand
366-B	Meat Spatula 4 ¹ / ₄ in. (10.79 cm)
367-B	Meat Spatula 5 in. (12.7 cm)
368	Meat Spatula 4 ⁵ / ₈ in. (11.75 cm)

Model 367-B



164-A MANUAL GRILL TOOL SHARPENER

PRINCE CASTLE INC. 
WORLDWIDE

SPECIFICATIONS

DIMENSIONS

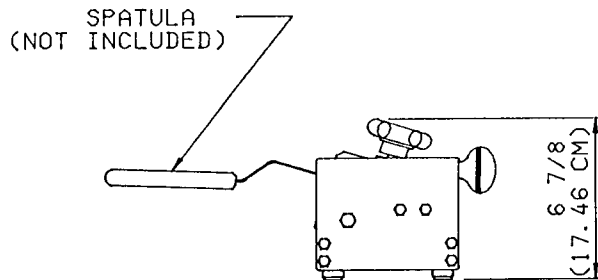
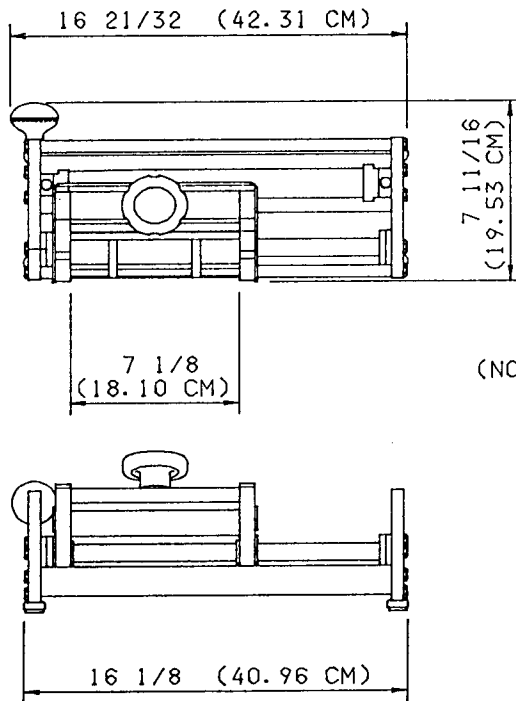
MODEL NUMBER	LENGTH IN. (CM)	HEIGHT IN. (CM)	DEPTH IN. (CM)	SHIPPING WT. LB. (KG.)
164-A	16 ^{21/32} (42.31)	6 ^{7/8} (17.46)	7 ^{11/16} (19.53)	23 (10.4)

ORDERING INFORMATION

MODEL	DESCRIPTION
164-A	Manual Grill Tool Sharpener

ACCESSORIES

MODEL	DESCRIPTION
578-300	Sharpener Stand
366-B	Meat Spatula 4 ^{1/2} in. (10.79 cm)
367-B	Meat Spatula 5 in. (12.7 cm)
368	Meat Spatula 4 ^{5/8} in. (11.75 cm)



*Designs and specifications are subject to change without notice.

