

173 REDI-GRIL® MINI SCRAPER



173

MINI SCRAPER:

Maintain your grill with Redi-Gril® products from Prince Castle.

Cut clean up time and effort using the mini grill scraper. Model 173 scraper removes food and grease buildup that can ruin grill surfaces. Designed for use on steel surface grills, the mini grill scraper is tough enough to remove burnt residue left over from virtually all types of food products.

Model 173 has a 4.50 inch (11.00 cm) blade. It features a splash guard to protect the operator. The smaller design works well in tight areas.

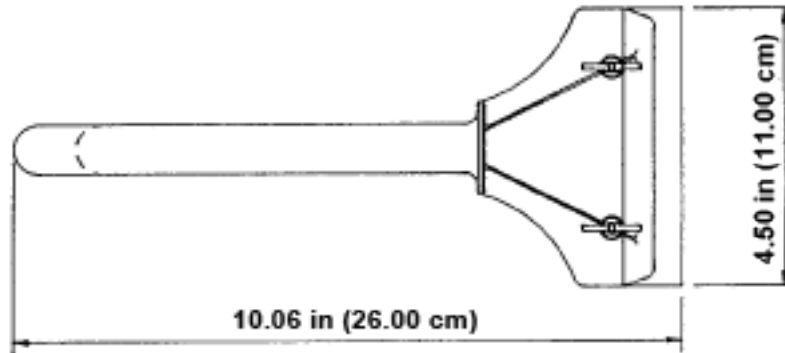
STANDARD FEATURES:

- Thoroughly clean hot grills.
- Removes food and grease residue that can ruin grills.
- Prevents flavor transfer of burnt foods.
- Cuts cleanup time by 50 percent.
- Dishwasher safe for fast, easy cleaning.
- Disposable replacement blades are available.

173 REDI-GRIL® MINI SCRAPER

SPECIFICATIONS

LAYOUT:



Designs and specifications are subject to change without notice.

DIMENSIONS:

Model Number	Width in (cm)	Height in (cm)	Length in (cm)	Shipping Weight lb (kg)	Shipping cu.ft. (cu.m.)
173	4.75 (12.00)	3.50 (8.90)	10.06 (26.00)	.50 (.23)	.10 (.01)

ORDERING INFORMATION:

Model	Description
173	Redi-Gril Mini Scraper
173-1	Disposable Replacement Blades (pkg of 6) for 173

CERTIFICATIONS:

