

61 KETCH-ALL™ KETCHUP COLLECTOR / DISPENSER



61

NO-MESS DISPENSING:

Prince Castle's dispensers help any foodservice operation save time and money. Designed to dispense ketchup, model 61 is great for virtually any pourable sauce.

Whether you purchase ketchup in bottles or #10 cans, the Ketch-All™ Dispenser makes sure you get every drop you paid for. The clog-free valve makes filling glass or plastic bottles easy.

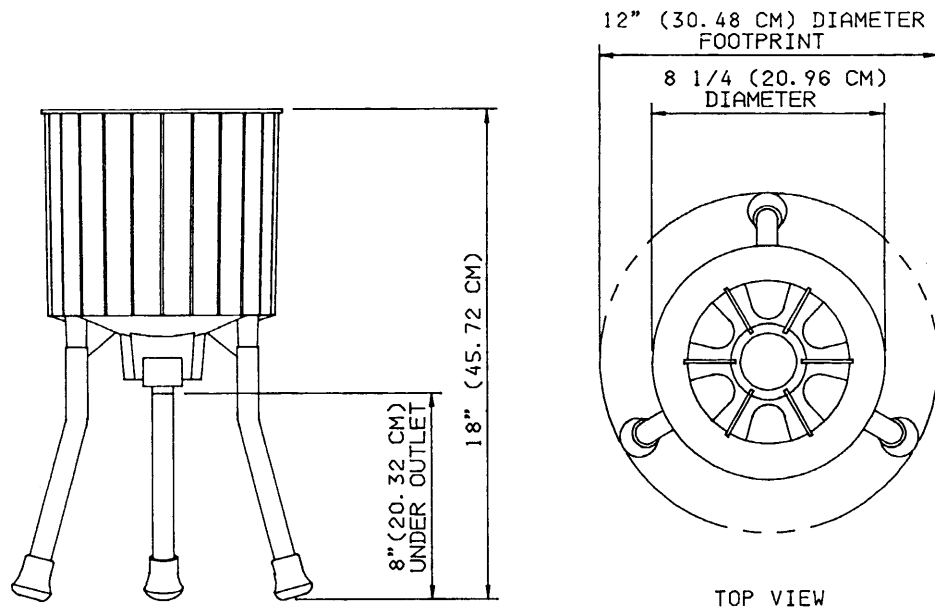
STANDARD FEATURES:

- Easy no-mess dispensing
- Holds the contents of two #10 cans (or six bottles) at one time
- Clog-free valve
- Plastic top keeps stored contents fresh
- Legs detach for easy storage
- Polypropylene container is machine washable
- Virtually eliminates spills
- Saves between four and five bottles of ketchup per case of 24
- U.S.D.A. approved polypropylene container

61 KETCH-ALL™ KETCHUP COLLECTOR / DISPENSER

SPECIFICATIONS

LAYOUT:



Designs and specifications are subject to change without notice.

DIMENSIONS:

Model Number	Width in (cm)	Height in (cm)	Length in (cm)	Shipping Weight lb (kg)	Shipping cu.ft. (cu.m.)
61	12.00 (30.48)	18.00 (45.72)	12.00 (30.48)	3.00 (1.40)	.70 (.02)

ORDERING INFORMATION:

Model	Description
61	Ketch-All™ Ketchup Collector / Dispenser

CERTIFICATIONS:

