

580 SERIES SAUCE DISPENSERS



581-NMCC
(Shown with optional dispensing bottle)

PORTION CONTROL DISPENSING:

Prince Castle Sauce Dispensers are perfect for portion control of heavy sauces such as tarter, mayonnaise, sour cream and guacamole. With a click of the trigger, a portion-controlled amount of sauce is dispensed - no spooning, no mess and no fuss!

The cartridge bottles, made of polyethylene plastic, keep the sauce covered and free from contamination. Accessories are available for storage and handling the sauce dispensers.

Note: Bottles sold separately. Each bottle holds 26 ounces.

STANDARD FEATURES:

- Precise portion control for heavy sauces.
- Four models available to dispense 1/3 oz. (9.44 grams) to 1 oz. (28.34 grams).
- Great for heavy sauces like tarter, mayonnaise, sour cream, and guacamole.
- Optional accessories add versatility.

OPTIONAL ACCESSORIES:

136-1 Dispenser bottles (case of 9) - reusable



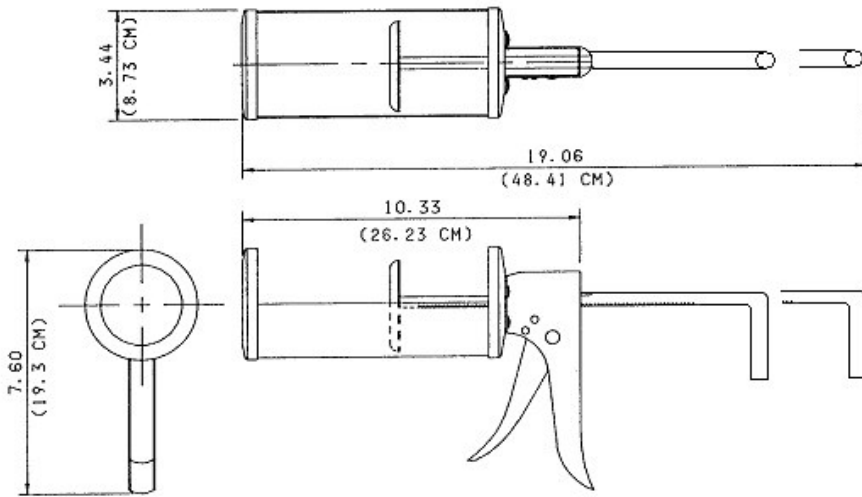
136-1

155 Bottle storage tray

580 SERIES SAUCE DISPENSERS

SPECIFICATIONS

LAYOUT:



Designs and specifications are subject to change without notice.

DIMENSIONS:

Model Number	Width in (cm)	Height in (cm)	Length in (cm)	Shipping Weight lb (kg)	Shipping cu.ft. (cu.m)
580 Series	3.44 (8.73)	7.60 (19.30)	19.06 (48.41)	3.00 (1.40)	.22 (.0062)

ORDERING INFORMATION:

Model	Description
580-NMCC	Sauce Dispenser - 1/3 ounce (9.44 grams) Red Handle
581-NMCC	Sauce Dispenser - 1/2 ounce (14.17 grams) White Handle
582-NMCC	Sauce Dispenser - 2/3 ounce (18.88 grams) Black Handle
583-NMCC	Sauce Dispenser - 1 ounce (28.34 grams) Green Handle

OPTIONAL ACCESSORIES:

Model	Description
136-1	Bottles (case of 9)
136-35	Retainers (10 per pkg)
136-36	Spout Cap (10 per pkg)
136-38S	Pistons (20 per pkg)
136-41	Diffusers (10 per pkg)
155	Bottle Tray (1 per pkg)

CERTIFICATIONS:

