



JOB:
ITEM:
QTY:



SLICER/MIXER STAND

APPLICATION:

Designed for a multitude of standard food preparation applications, this Slicer Mixer Stand is indispensable in the kitchen. Use as a slicer or mixer stand, mobile work surface, or to transport trays.

MATERIAL:

Framework is constructed out of 1 1/2"x1 1/2" x.070" wall tubing. Runners are constructed out of 3/4"x1 9/16"x.100" wall channel. Top is constructed out of .125" aluminum sheet and the outriggers are constructed out of .080" aluminum sheet.

CASTERS:

These stands come equipped with four 5" platform type swivel casters, two with brake.

GUARANTEE:

These stands carry a **Lifetime Guarantee** against rust and corrosion and also carry a **Five-Year Guarantee** against workmanship and material defects.

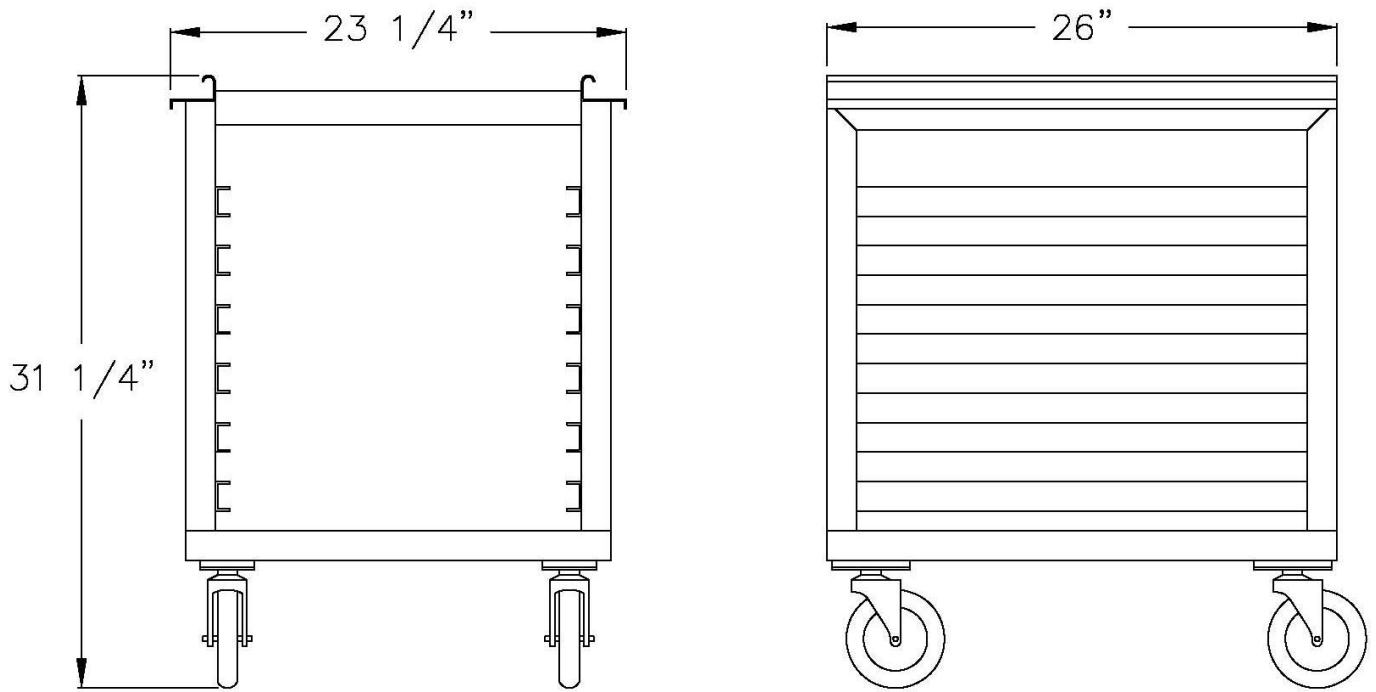


Model #98001



Phone: 800-255-0104
Fax: 877-877-7687
www.newageindustrial.com
sales@newageindustrial.com

New Age Industrial reserves the right to modify or make changes at any time without notice to materials and specifications.



Model #98000

Model No.	Size-W	Size-H	Size-D	Runner Spacing	Pan Cap.
98000	23 1/4"	31 1/4"	26"	1 1/2"	12
98001	23 1/4"	37"	26"	1 1/2"	16
98179	23 1/4"	37"	26"	3"	8



Phone: 800-255-0104
 Fax: 877-877-7687
www.newageindustrial.com
sales@newageindustrial.com

New Age Industrial reserves the right to modify or make changes at any time without notice to materials and specifications.