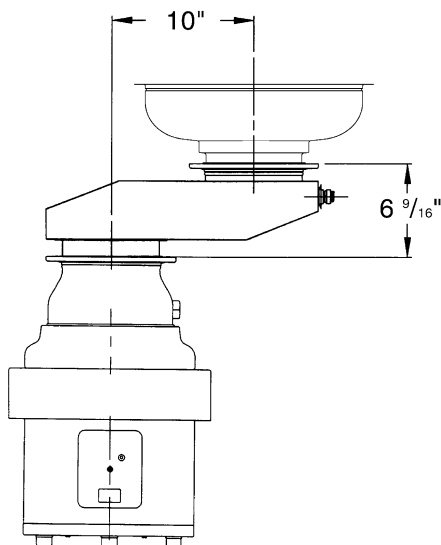
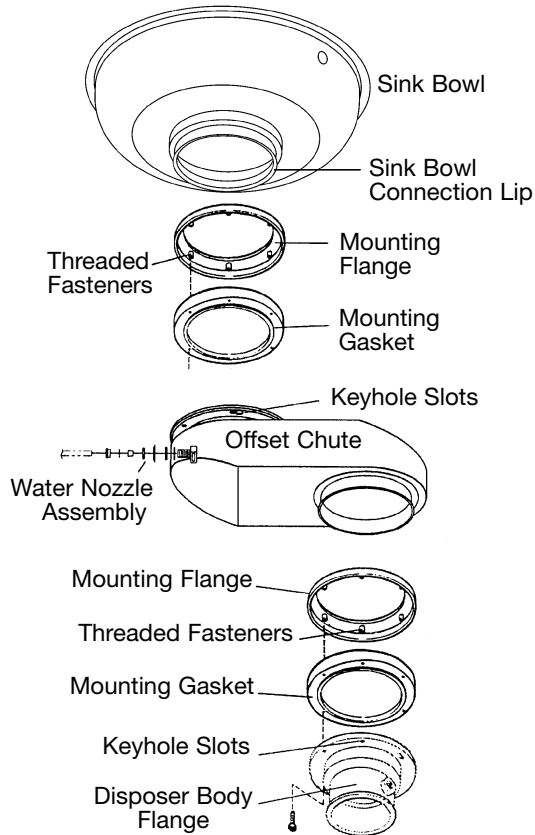




OFFSET CHUTE



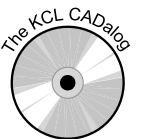
Accessory Item that will mount between InSinkErator disposer and sink bowl

- Fits all InSinkErator bowls and #6 and #7 collars
- Fits competitive sink bowls with InSinkErator adaptor
- Fits following Models:

SS-50	SS-125
SS-75	SS-150
SS-100	SS-200
SS-300	Short Body
SS-500	Short Body
SS-750	Short Body
SS-1000	Short Body

To order, specify part number
14029 (SS50 - SS200) includes disposer legs
14029A (SS300 - SS1000)

Our products appear on **The KCL CADalog** CD-ROM based CAD Foodservice Symbol Library. More information is available from **Kochman Consultants, Ltd.** at www.kclcad.com.



4700 21st STREET
 RACINE, WI 53406
 TEL: 800-845-8345
 FAX: 262-554-3620

www.insinkerator.com



The Emerson logo is a trademark and a service mark of Emerson Electric Co.

