

FS - Service/Utility Sinks

SPECIFICATION:

Service/Utility Sinks are constructed of 16-gauge #304 stainless steel, with integrated full-height apron. **FS Model** Standard Service/Utility Sink is 24" x 18" x 7" deep coved corner sink bowl with a built-in pitch to 4" waste outlet.

FS-M Model is a medium duty utility sink with a 16" x 18" x 7" deep bowl.

FS-H Model is a heavy duty utility sink with a 24 x 18 x 12" deep bowl.

FS-L Model is a standard duty "left corner" utility sink.

FS-R Model is a standard duty "right corner" utility sink.

PRODUCT GUIDE:

IMC Hand Sinks are easily cleanable without the use of tools. All corners are coved, and all seams are fully welded and polished.

Rugged type 304, 18-8 stainless steel construction, engineered to stand up under day-in and day-out abuse.

OPTIONS:

Hose(**HA**)-36" long, heavy duty hose with sink faucet connection at one end

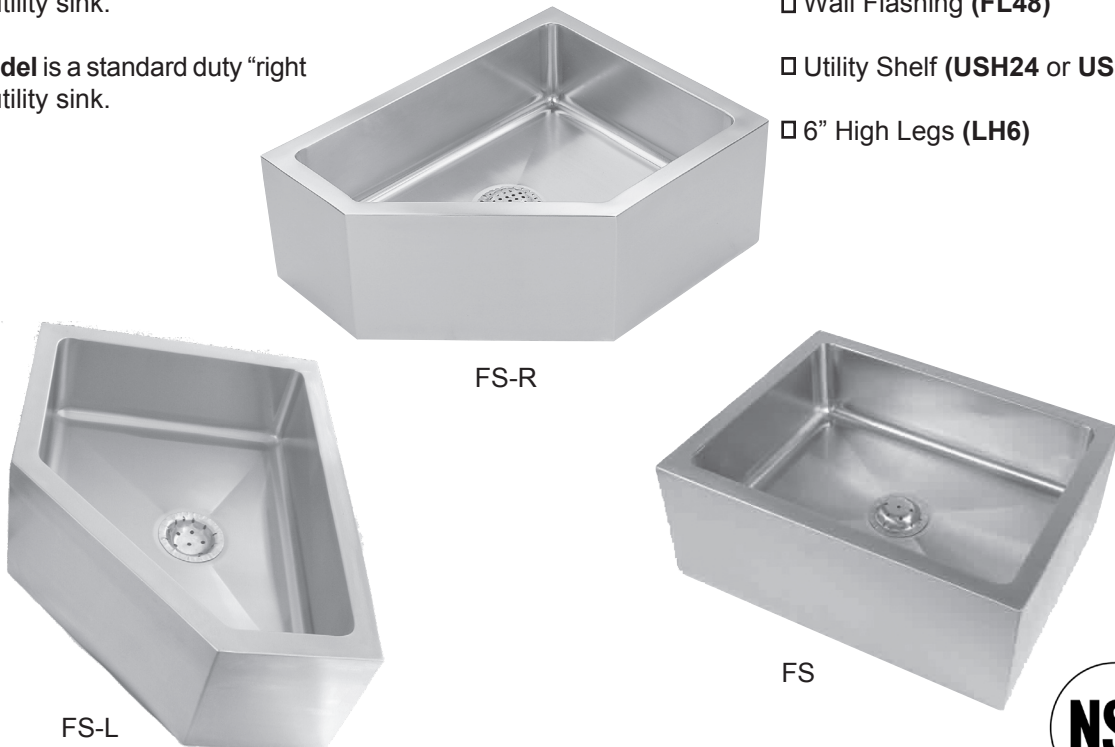
Service Sink Wall Faucet (**SSF**), T&S #0665, or equal - Heavy-duty, chrome-plated brass, with 8" center inlets, spout-mounted bucket hook and hose connection, wall brace, vacuum breaker, renewable valves and seats

Mop Holder (**MH3** or **MH4**) - Individual or grouped rubber holders (3- or 4- position), secured to a stainless steel channel

Wall Flashing (**FL48**)

Utility Shelf (**USH24** or **USH36**)

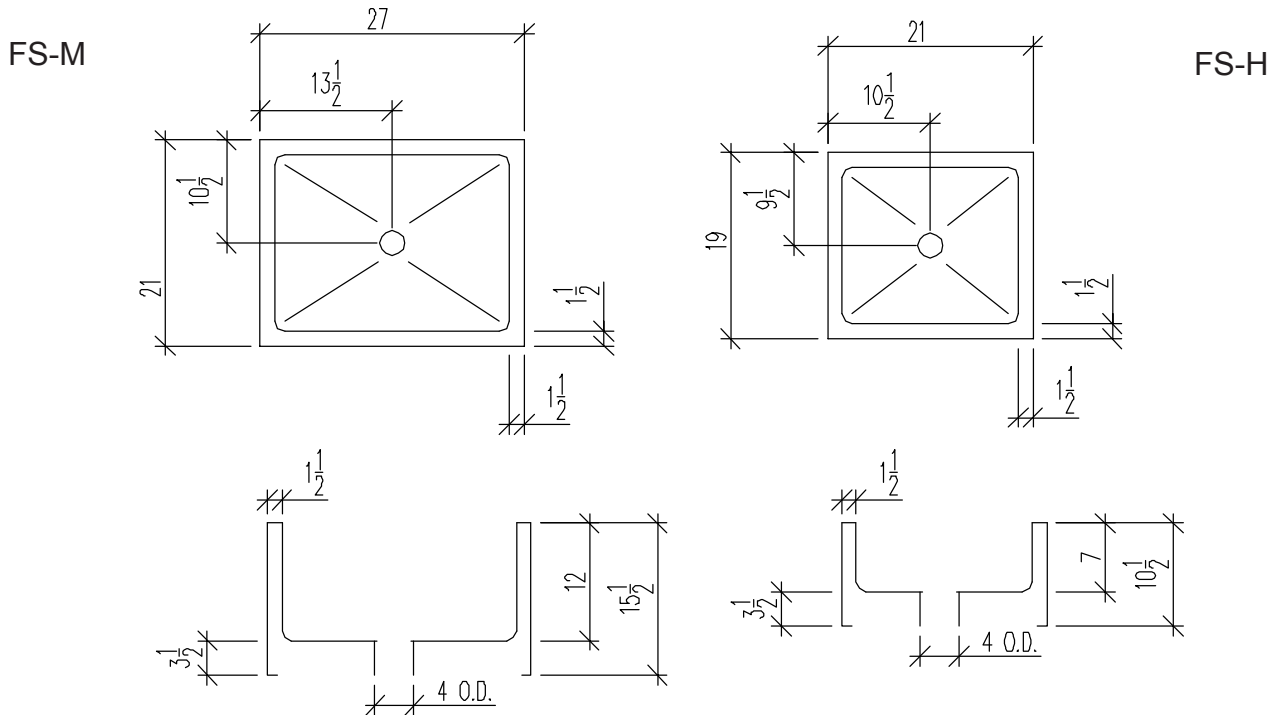
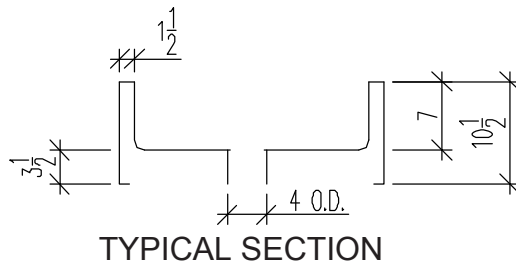
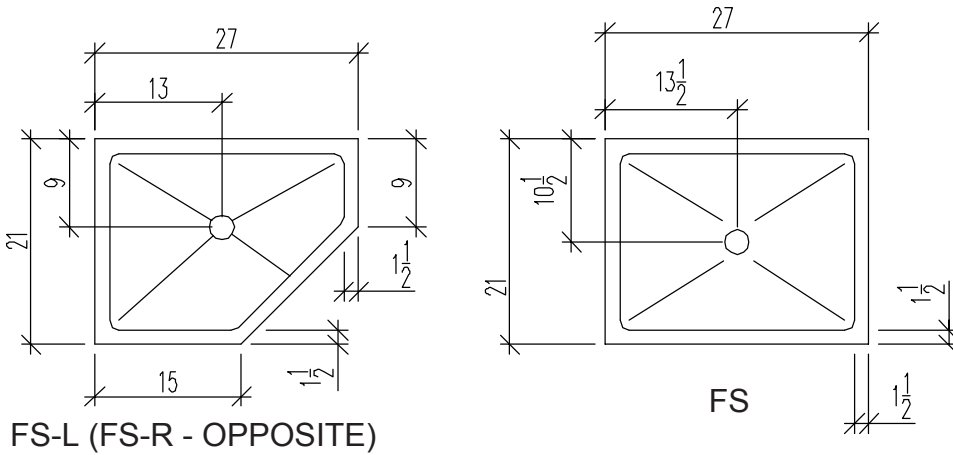
6" High Legs (**LH6**)



*Price Page 70

Specifications subject to change without notice.

FS - Service/Utility Sinks



*See Price book page 70 for options.

Specifications subject to change without notice.