

# DL20-1 Combination Utility Sink and Utensil/Can Washer and Sanitizer

## SPECIFICATION:

**DL20-1 Model** Combination Utility Sink and Utensil/Can Washer and Sanitizer is constructed of 16-gauge #304 stainless steel. Can Washer Unit consists of a coved wash basin with 1" OD tubular equipment supports and a utility sink alongside. Fully integrated outer shell has a 12" high backsplash. A perforated scrap drawer collects solid waste for disposal periodically. Faucet, T&S #B-1152, or equal, with flexible 48" long stainless steel hose and brush spray head are mounted on top of backsplash. Double foot pedal valve, T&S #B-0502, or equal, mounted on a stainless steel bracket, controls heavy-duty nozzle spray head with a 360 degree revolving cleaning pattern. Bottom drains to a 2" brass waste outlet. Entire unit is mounted on adjustable stainless steel legs. Utility sink is integral to and on side of wash basin and fitted with a stainless steel basket drain. Combination unit is mounted on stainless steel adjustable legs.

## PRODUCT GUIDE:

IMC Combination Utility Sink and Utensil/Can Washer and Sanitizers are easily cleanable without the use of tools. All corners are coved, and all seams are fully welded and polished.

Combination design with multiple features is ideal for cleaning and washing all large and medium sized utensils and cans/pots. Faucet is used for pot filling or cleaning. Spray brush head helps loosen solid waste. Built-in nozzle spray head at the bottom provides a powerful cleaning cycle. Scrap tray is emptied and cleaned periodically. Utility sink dries and holds cans and washed utensils.

## OPTIONS:

- Seismic, bolt-down legs
- Correctional Package



\*Price Page 70

Specifications subject to change without notice.



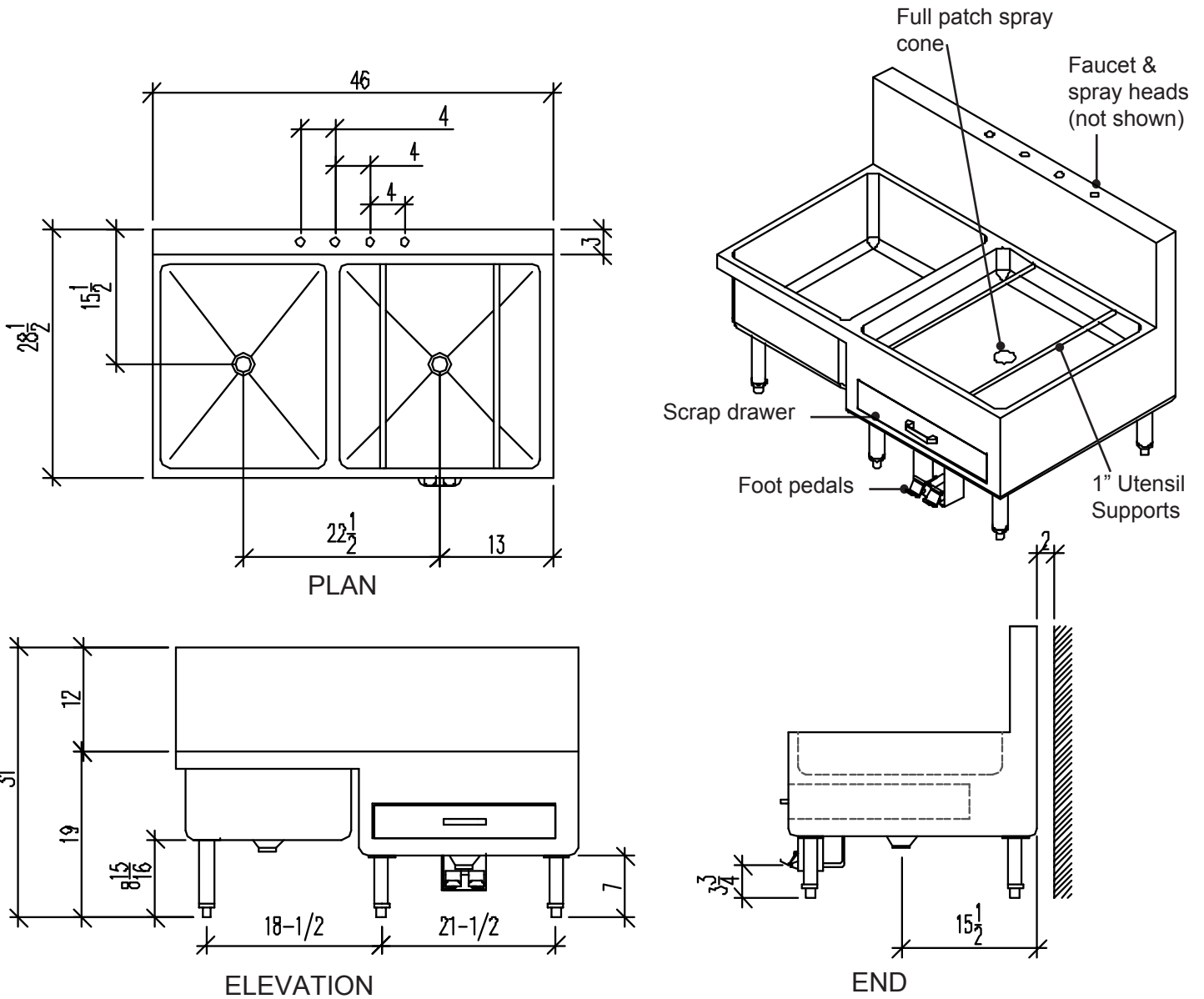
P.O. Box 206  
Copliague, NY 11726-0206

800-221-5644/631-789-8881  
Fax: 631-789-3633

DL20-1-30 1007

[www.imcteddy.com](http://www.imcteddy.com)

# Combination Utility Sink and Utensil/Can Washer and Sanitizer



\*See Price book page 70 for options.

Specifications subject to change without notice.



P.O. Box 206  
Copiague, NY 11726-0206

800-221-5644/631-789-8881  
Fax: 631-789-3633

www.imcteddy.com

DL20-1-30 1007