

DL-2 Utensil/Can Washer and Sanitizer

SPECIFICATION:

DL-2 Model Utensil/Can Washer and Sanitizer is constructed of 16-gauge #304 stainless steel and consists of a coved wash basin with 1" OD tubular equipment supports and fully integrated outer shell and has a 12" high backsplash. A perforated scrap drawer collects solid waste for disposal periodically. Faucet, T&S #B-1152, or equal, with flexible 48" long stainless steel hose and brush spray head are mounted on top of backsplash. Double foot pedal valve, T&S #B-0502, or equal, mounted on a stainless steel bracket, controls a heavy-duty nozzle spray head with a 360 degree revolving cleaning pattern. Bottom drains to a 2" brass waste outlet. Entire unit is mounted on adjustable stainless steel legs.

PRODUCT GUIDE:

IMC Utensil/Can Washer and Sanitizers are easily cleanable without the use of tools. All corners are coved, and all seams are fully welded and polished.

Compact design with multiple features is ideal for cleaning and washing all large and medium sized utensils and cans or pots. Faucet is used for pot filling or cleaning. Spray brush head helps loosen solid waste. Built-in nozzle spray head at the bottom provides a powerful cleaning cycle. Scrap tray is emptied and cleaned easily.

OPTIONS:

- Seismic, bolt-down legs
- Correctional Package



*Price Page 70

Specifications subject to change without notice.



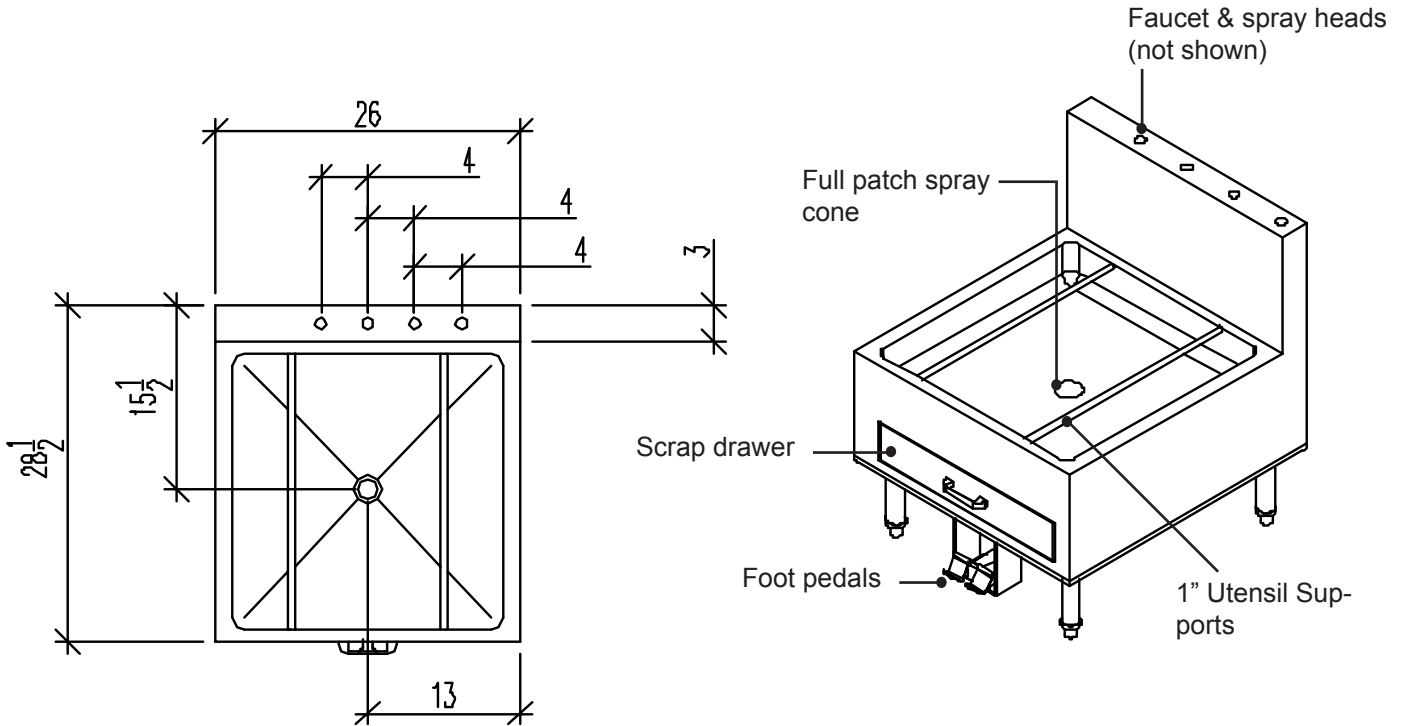
P.O. Box 206
Copiapue, NY 11726-0206

800-221-5644/631-789-8881
Fax: 631-789-3633

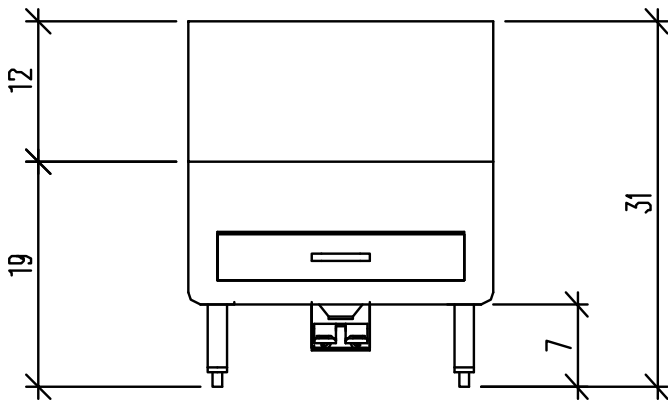
www.imcteddy.com

DL-2-30 1007

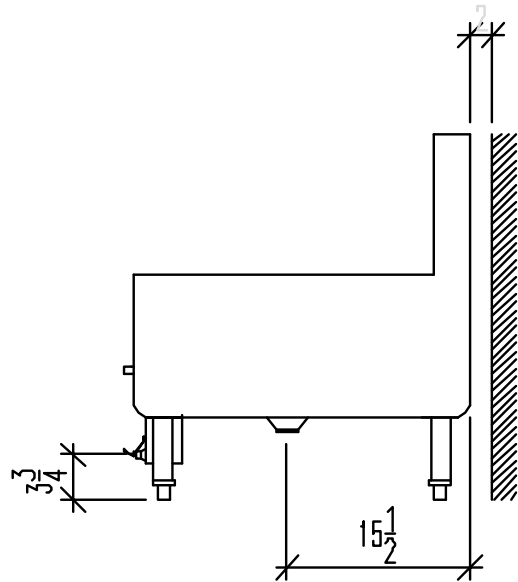
DL-2 Utensil/Can Washer and Sanitizer



PLAN



ELEVATION



END

*See Price book page 70 for options.

Specifications subject to change without notice.



P.O. Box 206
Copiague, NY 11726-0206

800-221-5644/631-789-8881
Fax: 631-789-3633

www.imcteddy.com

DL-2-30 1007