

SX - Stainless Steel Shelving Extra Heavy Duty, Louvered or Solid

SPECIFICATION:

SX Model Extra Heavy Duty Shelving is produced from 14-gauge type 304 stainless steel, shelf edges turned down 90 degrees and in at 45 degree angle, with the underside of each edge of the shelf notched and continuously welded to upright posts.

Uprights are 1-5/8" OD, 16-gauge 18-8 type 304 stainless steel posts, with welded-in top caps, and non-removable, sanitary, adjustable stainless steel feet. All shelving units and components are NSF-approved and all exposed surfaces finished brush satin.

PRODUCT GUIDE:

SX shelves are for large institutional or commissary or where equipment abuse is likely. It withstands heaviest loads with years of maintenance-free use.

Easily assembled and adjusted.

Solid surface design provides easy access and quick clean up of spills. Large louvers allow uniform temperature distribution.

Stationary units provided with stainless steel posi-grip adjustable foot inserts.

Mobile units provided with 5" casters. See selection guide and information.

OPTIONS:

- Solid or Louvered
- Super heavy duty 12ga
- Correctional package
- Tamperproof screws or welded unit
- Special height or widths
- Mobile or Stationary
- Seismic bolt-down legs
- Modular System



*Price page 15-16

Specifications subject to change without notice.



P.O. Box 206
Copiague, NY 11726-0206

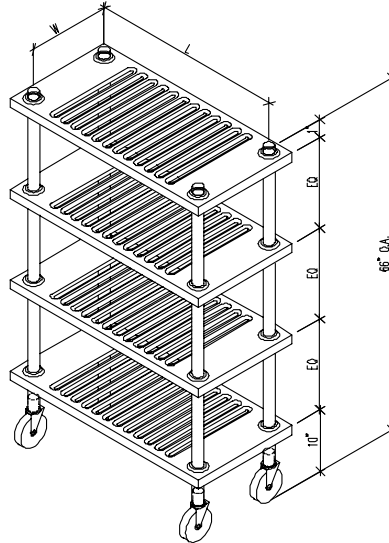
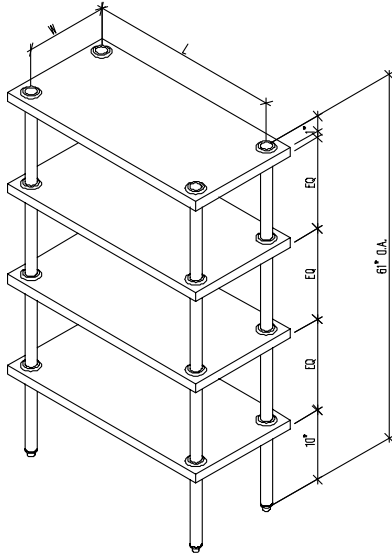
800-221-5644/631-789-8881
Fax: 631-789-3633

SX-20 1007

www.imcteddy.com

SX - Stainless Steel Shelving

Extra Heavy Duty, Louvered or Solid



SHELVING UNITS, LOUVERED OR SOLID

4-Tier Complete Unit, 61" O.A. Height (1549mm)

SOLID MODEL #	LOUVERED MODEL #	SIZE (W x L)	METRIC	WEIGHT
SX-3018-4S	SX-3018-4L	18" x 30"	457 x 762	118
SX-3618-4S	SX-3618-4L	18" x 36"	457 x 914	131
SX-4218-4S	SX-4218-4L	18" x 42"	457 x 1067	144
SX-4818-4S	SX-4824-4L	18" x 48"	457 x 1219	157
SX-5418-4S	SX-5418-4L	18" x 54"	457 x 1372	170
SX-6018-4S	SX-6018-4L	18" x 60"	457 x 1524	182
SX-3021-4S	SX-3021-4L	21" x 30"	533 x 762	128
SX-3621-4S	SX-3621-4L	21" x 36"	533 x 914	142
SX-4221-4S	SX-4221-4L	21" x 42"	533 x 1067	157
SX-4821-4S	SX-4821-4L	21" x 48"	533 x 1219	171
SX-5421-4S	SX-5421-4L	21" x 54"	533 x 1372	186
SX-6021-4S	SX-6021-4L	21" x 60"	533 x 1524	200
SX-3024-4S	SX-3024-4L	24" x 30"	610 x 762	138
SX-3624-4S	SX-3624-4L	24" x 36"	610 x 914	154
SX-4224-4S	SX-4224-4L	24" x 42"	610 x 1067	170
SX-4824-4S	SX-4824-4L	24" x 48"	610 x 1219	186
SX-5424-4S	SX-5424-4L	24" x 54"	610 x 1372	202
SX-6024-4S	SX-6024-4L	24" x 60"	610 x 1524	218

NOTE: ALL ABOVE SHELVING UNITS CAN BE ORDERED AS STANDARD UNITS WITH 3 OR 5 SHELVES PER UNIT, BY SIMPLY CHANGING THE LAST DIGIT IN THE MODEL NUMBER TO REFLECT THE CORRECT NUMBER DESIRED.

*See Price book page 15-16 & 29-30 for individual shelves, posts, and options.

Specifications subject to change without notice.



IMC/TEDDY
FOOD SERVICE EQUIPMENT

P.O. Box 206
Copiague, NY 11726-0206

800-221-5644/631-789-8881
Fax: 631-789-3633

www.imcteddy.com

SX-20 1007