

SSS - Stainless Steel Shelving Security, Louvered or Solid

SPECIFICATION:

SSS Model High Security Shelving is produced from 14-gauge 18-8 type 304 stainless steel, shelf edges turned down 90 degrees and in at 45 degree angle, with corners notched and **continuously welded to upright posts**.

Uprights are 1-5/8" OD, 16-gauge 18-8 type 304 stainless steel posts, with welded-in top caps, and non-removable, sanitary, adjustable stainless steel feet. All shelving units and components are NSF-approved and all exposed surfaces finished brush satin.

PRODUCT GUIDE:

SSS shelves are recommended for high security facilities and federal correctional facilities or where all welded shelving is required.

Solid surface design provides easy access and quick clean up of spills. Large louvers allow uniform heat distribution.

Stationary units provided with stainless steel posi-grip adjustable foot welded inserts.

Mobile units provided with welded 5" casters. See selection guide and information.

OPTIONS:

- Solid or Louvered
- Maximum security 12ga shelves
- Special height or widths
- Mobile or Stationary
- Seismic bolt-down legs
- Modular System



*Price page 17-18

Specifications subject to change without notice.



P.O. Box 206
Copiague, NY 11726-0206

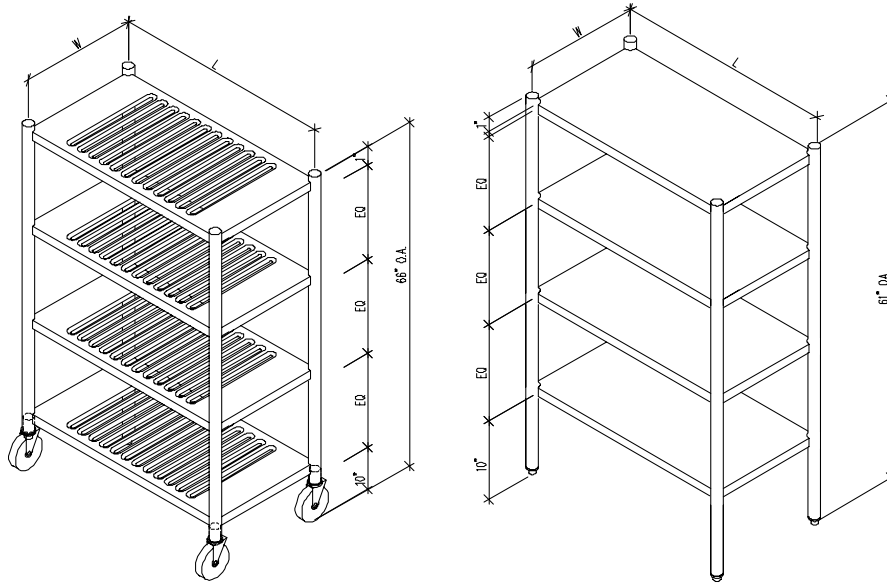
800-221-5644/631-789-8881
Fax: 631-789-3633

SSS-30 1007

www.imcteddy.com

SSS - Stainless Steel Shelving

Security, Louvered or Solid



SHELVING UNITS, LOUVERED OR SOLID

4-Tier Complete Unit, 61" O.A. Height (1549mm)

SOLID MODEL #	LOUVERED MODEL #	SIZE (W x L)	METRIC	WEIGHT
SSS-3018-4S	SSS-3018-4L	18" x 30"	457 x 762	118
SSS-3618-4S	SSS-3618-4L	18" x 36"	457 x 914	131
SSS-4218-4S	SSS-4218-4L	18" x 42"	457 x 1067	144
SSS-4818-4S	SSS-4824-4L	18" x 48"	457 x 1219	157
SSS-5418-4S	SSS-5418-4L	18" x 54"	457 x 1372	170
SSS-6018-4S	SSS-6018-4L	18" x 60"	457 x 1524	182
SSS-3021-4S	SSS-3021-4L	21" x 30"	533 x 762	128
SSS-3621-4S	SSS-3621-4L	21" x 36"	533 x 914	142
SSS-4221-4S	SSS-4221-4L	21" x 42"	533 x 1067	157
SSS-4821-4S	SSS-4821-4L	21" x 48"	533 x 1219	171
SSS-5421-4S	SSS-5421-4L	21" x 54"	533 x 1372	186
SSS-6021-4S	SSS-6021-4L	21" x 60"	533 x 1524	200
SSS-3024-4S	SSS-3024-4L	24" x 30"	610 x 762	138
SSS-3624-4S	SSS-3624-4L	24" x 36"	610 x 914	154
SSS-4224-4S	SSS-4224-4L	24" x 42"	610 x 1067	170
SSS-4824-4S	SSS-4824-4L	24" x 48"	610 x 1219	186
SSS-5424-4S	SSS-5424-4L	24" x 54"	610 x 1372	202
SSS-6024-4S	SSS-6024-4L	24" x 60"	610 x 1524	218

NOTE: ALL ABOVE SHELVING UNITS CAN BE ORDERED AS STANDARD UNITS WITH 3 OR 5 SHELVES PER UNIT, BY SIMPLY CHANGING THE LAST DIGIT IN THE MODEL NUMBER TO REFLECT THE CORRECT NUMBER DESIRED.

*See Price book page 14-15 & 20-21 for individual shelves, posts, and options.

Specifications subject to change without notice.



P.O. Box 206
Copiague, NY 11726-0206

800-221-5644/631-789-8881
Fax: 631-789-3633

www.imcteddy.com

SSS-30 1007