

S - Stainless Steel Shelving

Heavy Duty, Louvered or Solid

SPECIFICATION:

S Model Heavy Duty Shelving is produced from 16-gauge type 304 stainless steel, with double-folded shelf edges turned down 90 degrees and in 180 degrees. Stainless steel gussets are welded to the underside of each edge of the shelf and secured to posts with posi-loc screws.

Posts are 15/8" OD tubes, 16-gauge type 304 stainless steel, with top caps, and adjustable stainless steel feet. All shelving units and components are NSF-approved and all exposed surfaces finished brush satin.

PRODUCT GUIDE:

S shelves are for large institutional or commissary or where equipment abuse is likely. It withstands heavy loads with years of maintenance-free use.

Easily assembled and adjusted.

Solid surface design permits quick clean up of spills. Large louvers allow uniform temperature distribution.

Stationary units have stainless steel posi-grip adjustable foot inserts.

Mobile units provided with 5" casters. See selection guide and information.

OPTIONS:

- Solid or Louvered
- Extra heavy duty (14-gauge)
- Correctional package
- Tamperproof screws or welded unit
- Special height or widths
- Mobile or Stationary
- Seismic bolt-down legs
- Modular System



*Price page 13-14

Specifications subject to change without notice.



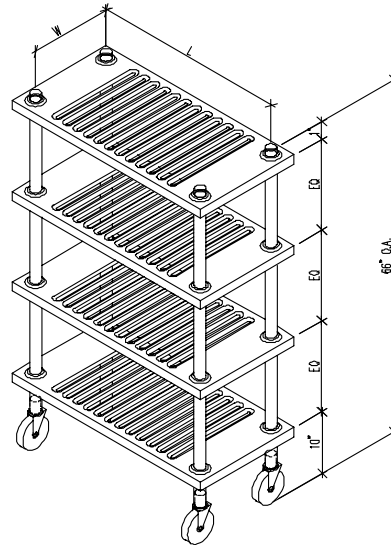
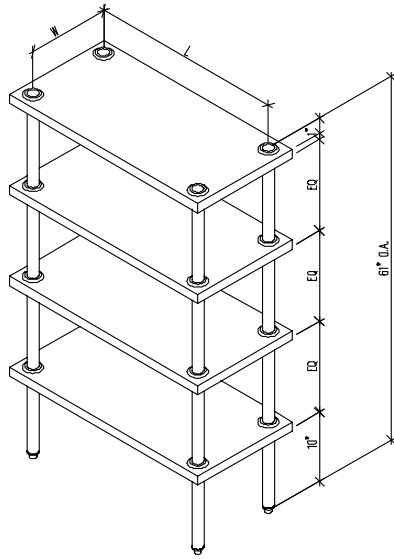
P.O. Box 206
Copliague, NY 11726-0206

800-221-5644/631-789-8881
Fax: 631-789-3633

S-30 1007

www.imcteddy.com

S - Stainless Steel Shelving Heavy Duty, Louvered or Solid



SHELVING UNITS, LOUVERED OR SOLID 4-Tier Complete Unit, 61" O.A. Height (1549mm)

SOLID MODEL #	LOUVERED MODEL #	SIZE (W x L)	METRIC	WEIGHT
S-3018-4S	S-3018-4L	18" x 30"	457 x 762	102
S-3618-4S	S-3618-4L	18" x 36"	457 x 914	112
S-4218-4S	S-4218-4L	18" x 42"	457 x 1067	122
S-4818-4S	S-4824-4L	18" x 48"	457 x 1219	132
S-5418-4S	S-5418-4L	18" x 54"	457 x 1372	142
S-6018-4S	S-6018-4L	18" x 60"	457 x 1524	152
S-3021-4S	S-3021-4L	21" x 30"	533 x 762	109
S-3621-4S	S-3621-4L	21" x 36"	533 x 914	120
S-4221-4S	S-4221-4L	21" x 42"	533 x 1067	132
S-4821-4S	S-4821-4L	21" x 48"	533 x 1219	143
S-5421-4S	S-5421-4L	21" x 54"	533 x 1372	154
S-6021-4S	S-6021-4L	21" x 60"	533 x 1524	165
S-3024-4S	S-3024-4L	24" x 30"	610 x 762	117
S-3624-4S	S-3624-4L	24" x 36"	610 x 914	129
S-4224-4S	S-4224-4L	24" x 42"	610 x 1067	142
S-4824-4S	S-4824-4L	24" x 48"	610 x 1219	154
S-5424-4S	S-5424-4L	24" x 54"	610 x 1372	167
S-6024-4S	S-6024-4L	24" x 60"	610 x 1524	179

NOTE: ALL ABOVE SHELVING UNITS CAN BE ORDERED AS STANDARD UNITS WITH 3 OR 5 SHELVES PER UNIT, BY SIMPLY CHANGING THE LAST DIGIT IN THE MODEL NUMBER TO REFLECT THE CORRECT NUMBER DESIRED.

*See Price book page 13-14 & 29-30 for individual shelves, posts, and options.

Specifications subject to change without notice.



P.O. Box 206
Copiague, NY 11726-0206

800-221-5644/631-789-8881
Fax: 631-789-3633

www.imcteddy.com

S-30 1007