

WS-CK - Corner Hand Sink

SPECIFICATION:

Top and sink constructed of 16GA stainless steel with covered intersection where top meets backsplash. Offset strip supplied for mounting to wall.

Backsplash is 8" high with 1" return to wall. Stainless steel apron is provided with holes for fastening to wall. Large covered corner sink bowl 9 1/2" x 12" x 6" deep with 1 1/2" waste drain. 4" center splash mounted faucet with wrist handles.

Splash mounted faucet model sink is provided into rear integral shelf.

PRODUCT GUIDE:

Sanitary

IMC Corner Hand Sinks are easily cleanable without the use of tools. All corners are covered, and all seams are fully welded and polished.

Large oversize deck provides space for faucet, soap dispenser and integral towel dispenser. High backsplash protects wall and keeps sink sanitary. Large integral apron conceals all plumbing.

OPTIONS:

Hands-Free automatic electronic faucet, battery or transformer models

Knee-operated, dual pedal, self-closing valve, Component Hardware #K25-3000, or equal

Automatic slow, self closing faucet

Other faucet options

Other bowl sizes

Splash Mounted Towel Dispenser

Integral Towel Dispenser for 300 multifold towels

Electronic Soap Dispenser

"P" Trap

Lever Drain

Eye Wash Spray

See Price Book for other options



Shown with Optional Splash-Mounted Electronic Faucet and Shelf



Specifications subject to change without notice.



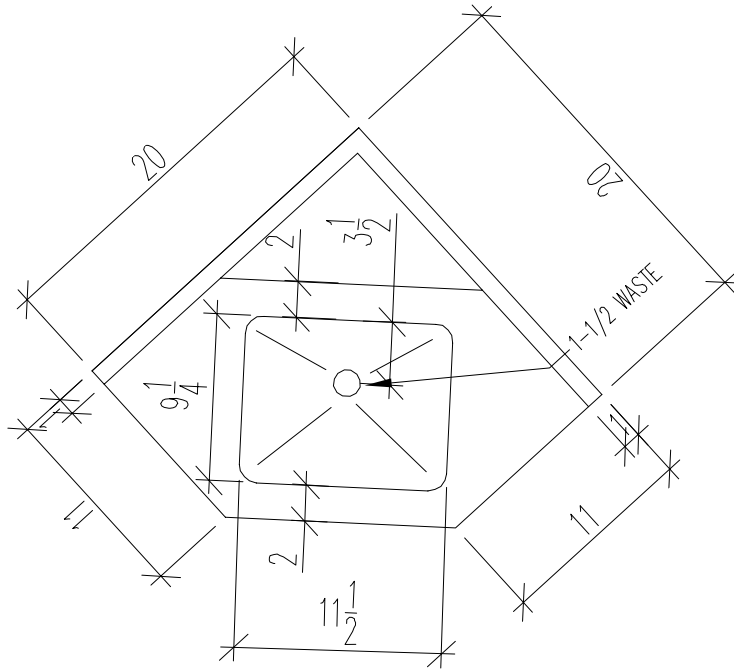
P.O. Box 206
Copiague, NY 11726-0206

800-221-5644/631-789-8881
Fax: 631-789-3633

www.imcteddy.com

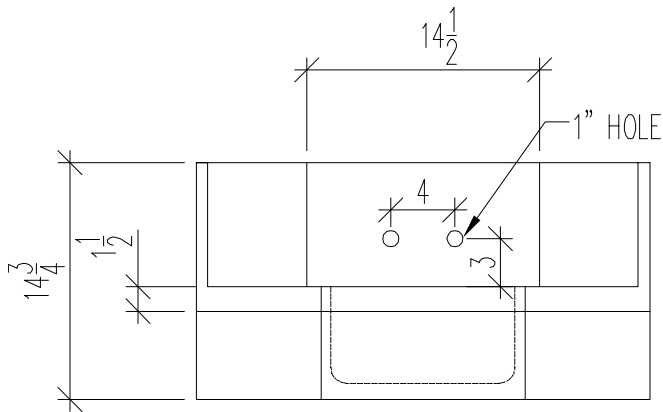
WS-CK-10 1007

WS-CK - Corner Hand Sink

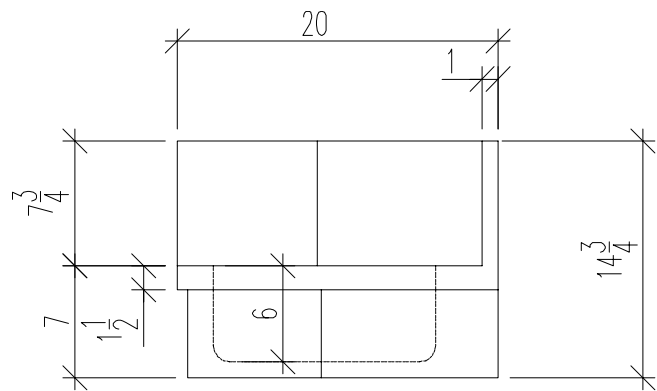


PLAN VIEW

NOTE: Plumbing Connections
by Others



FRONT VIEW



SECTION VIEW

Specifications subject to change without notice.



P.O. Box 206
Copiague, NY 11726-0206

800-221-5644/631-789-8881
Fax: 631-789-3633

www.imcteddy.com

WS-CK-10 1007