

## WS - Heavy Duty Wall Hand Sink

### SPECIFICATION:

**WS Model** Heavy Duty Wall Mounted Hand Sink is constructed of 16-gauge #304 stainless steel, with a tall backsplash and non-drip marine edges, coved corner sink bowl and built-in pitch to 1 1/2" waste outlet. Stainless steel front apron with rear flange and "Z" strip provide attachment to wall. Deck mounted soap dispenser has 1-pint capacity. Faucet to be T&S #B-1105, or equal, splash-mounted, with rigid goose-neck and wrist-action handles.

**WS-X Model** - same as above without faucet and soap dispenser. Faucet hole can be provided.

### PRODUCT GUIDE:

IMC Hand Sinks are easily cleanable without the use of tools. All corners are coved, and all seams are fully welded and polished.

Large oversize deck provides space for faucet, soap dispenser and integral towel dispenser.

High backsplash protects wall and keeps sink sanitary. Large integral apron conceals all plumbing.

Versatile design permits the use of large variety of plumbing options and accessories.

### OPTIONS:

- Hands-Free automatic electronic faucet, battery or transformer models.
- Knee-operated, dual pedal, self-closing valve, Component Hardware #K25-3000, or equal.
- Automatic slow, self closing faucet
- Other faucet options
- Other bowl sizes
- Splash Mounted Towel Dispenser
- Integral Towel Dispenser for 300 multifold towels
- Electronic Soap Dispenser
- "P" Trap
- Lever Drain
- Eye Wash Spray
- Side Splashes
- See Price Book for other options



\*Price Page 64

Specifications subject to change without notice.



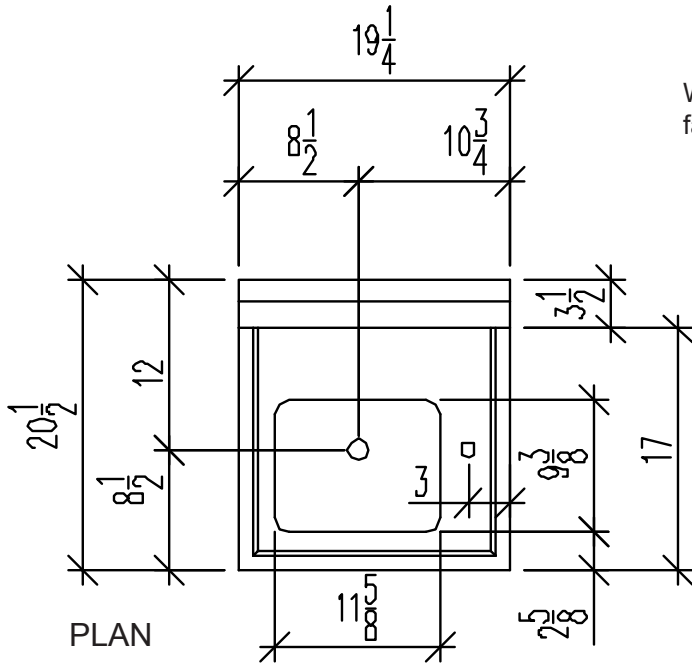
P.O. Box 206  
Copiague, NY 11726-0206

800-221-5644/631-789-8881  
Fax: 631-789-3633

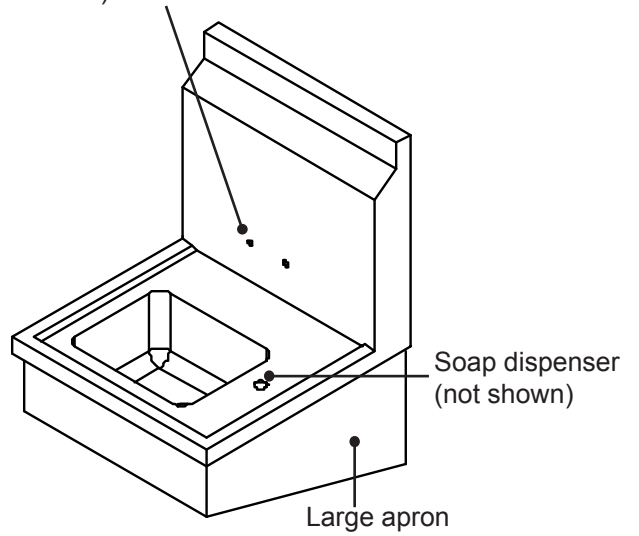
[www.imcteddy.com](http://www.imcteddy.com)

WS-30 1007  
WS-X-30 1007

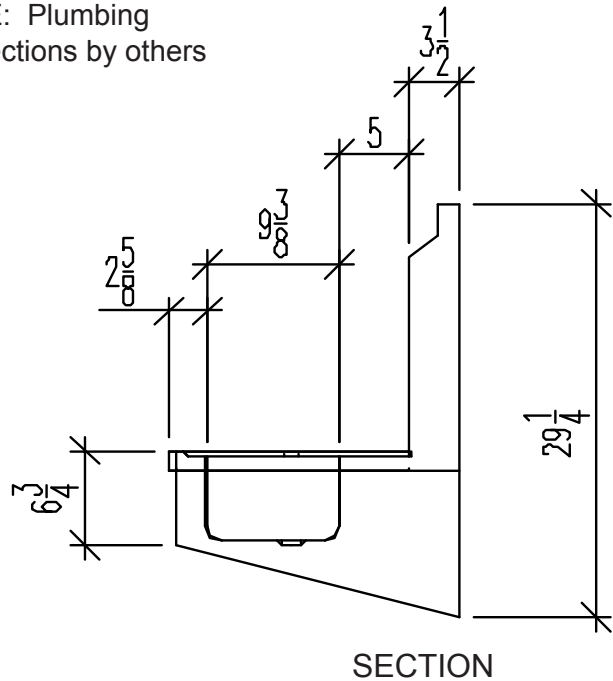
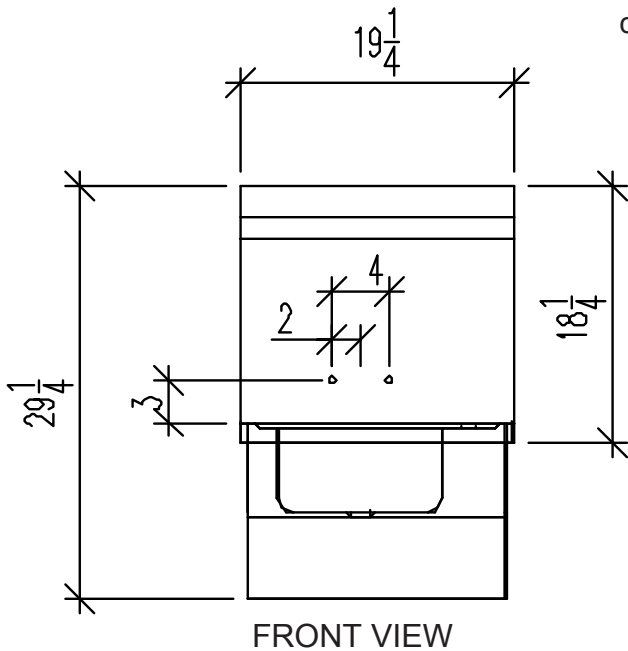
# WS - Heavy Duty Wall Hand Sink



Wrist-action handle  
faucet (not shown)



NOTE: Plumbing  
connections by others



\*See Price book pages 66-67 for options.

Specifications subject to change without notice.



P.O. Box 206  
Copiague, NY 11726-0206

800-221-5644/631-789-8881  
Fax: 631-789-3633

www.imcteddy.com

WS-30 1007  
WS-X-30 1007