

TD - Towel Dispenser, Optional

SPECIFICATION:

TD Model Towel Dispenser is constructed of 18-gauge #304 stainless steel, fully enclosed on sides, top and bottom. All corners are fully welded, ground and polished smooth. Unit to be secured to backsplash of IMC hand sink and designed to accommodate 300 9 1/2" multi-fold towels. Unit shall be provided with keyless access at front panel to replace towels.

PRODUCT GUIDE:

IMC Towel Dispensers are specially designed to provide sanitary carefree use - to permit quick, efficient and thorough cleaning and replenishing.

Unit is completely seamless and flush - only NSF listed unit available.

Oversize design permits additional storage. No special installation - attached to sink.

OPTIONS:

- Security/Correctional design
- Stand-alone wall mounting



*Price Page 66

Specifications subject to change without notice.



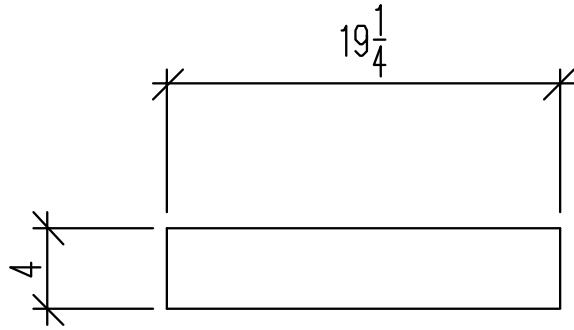
P.O. Box 206
Copiague, NY 11726-0206

800-221-5644/631-789-8881
Fax: 631-789-3633

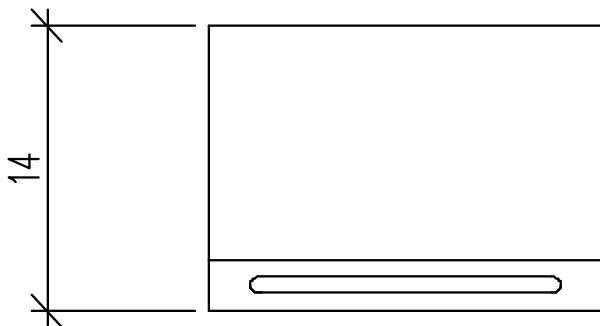
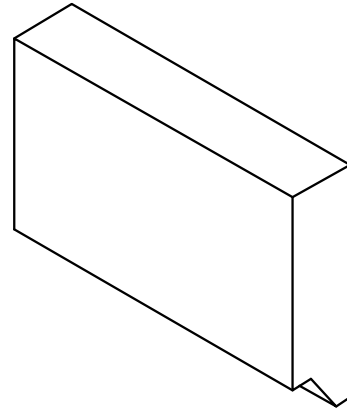
TD-30 1007

www.imcteddy.com

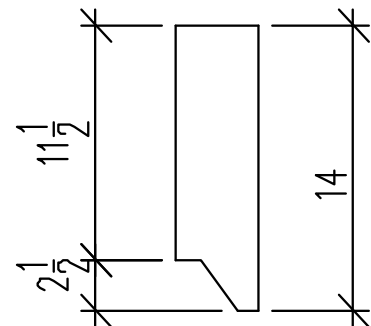
Towel Dispenser, Optional



PLAN



ELEVATION



RIGHT

Specifications subject to change without notice.



P.O. Box 206
Copiague, NY 11726-0206

800-221-5644/631-789-8881
Fax: 631-789-3633

www.imcteddy.com

TD-20 0103