

## CTSD - Combination Towel & Soap Dispenser

### SPECIFICATION:

**CTSD Model** Combination Towel & Soap Dispenser is constructed of #304 stainless steel, fully enclosed on sides and top. All welds are polished smooth. Unit to be secured to wall above backsplash of IMC hand sink with screws. A side mounted soap dispenser completes the unit.

### PRODUCT GUIDE:

IMC CTSD Towel Combination units are specially designed to provide sanitary carefree use - to permit quick, efficient and thorough cleaning.

Towel Dispenser holds 400 C-fold or 525 Multi-fold paper towels and is filled with a bottom hinged door and tumbler lock.

The 16 ounce (0.5L) capacity Soap Dispenser is push-up type with a non-corroding valve for soaps and thin lotions. Visible indicators for low soap and towels.

### OPTIONS:

Bracket to mount to IMC Hand Sink



\*Price Page 66

Specifications subject to change without notice.



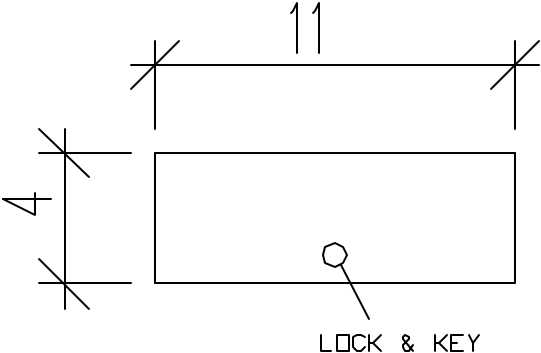
P.O. Box 206  
Copiague, NY 11726-0206

800-221-5644/631-789-8881  
Fax: 631-789-3633

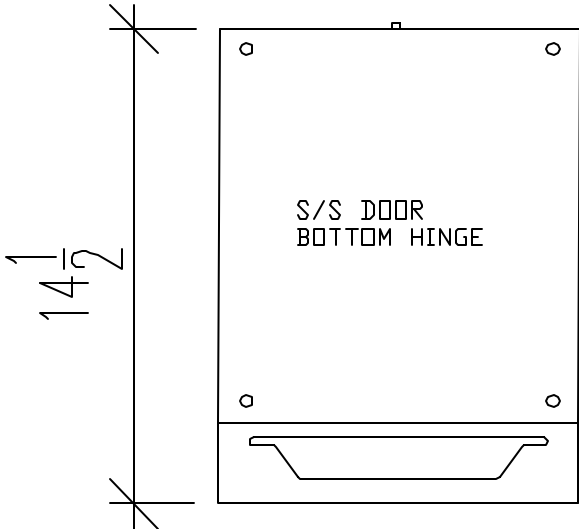
[www.imcteddy.com](http://www.imcteddy.com)

CTSD-20 1007

# CTSD - Combination Towel & Soap Dispenser

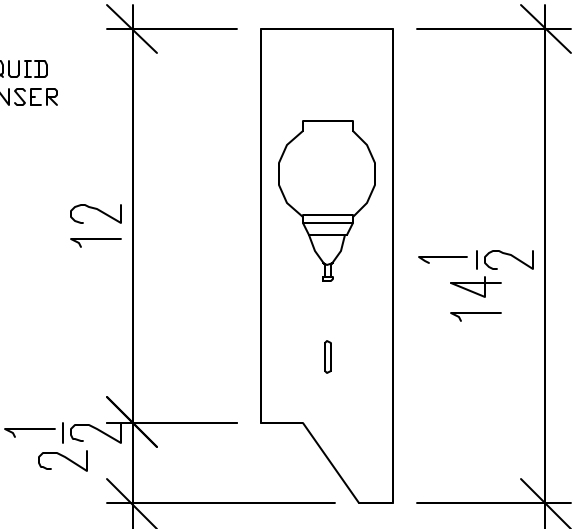
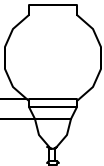


PLAN



ELEVATION

PLASTIC LIQUID  
SOAP DISPENSER



RIGHT

Specifications subject to change without notice.



P.O. Box 206  
Copiague, NY 11726-0206

800-221-5644/631-789-8881  
Fax: 631-789-3633

[www.imcteddy.com](http://www.imcteddy.com)

CTSD-20 1007