

Hand Sink CS Model

SPECIFICATION:

CS Model Hand Sink is constructed of 20-gauge #304 stainless steel, with integral backsplash and apron. Sink bowl is deep drawn with non-drip edges and built-in pitch to 1 1/2" waste outlet. Stainless steel front apron conceals bowl. Mount to wall with wall screws through top and lower brackets. Sink bowl is 14" x 10" x 6".



FULL BASE MODEL CSB - is furnished with a full size base mechanically attached to the apron and fully enclosing all plumbing.

PRODUCT GUIDE:

CS Hand Sinks are dual designed for Institutional and Commercial applications. For use in kitchens and public areas, with abuse resistant features, such as integral apron, multi-point mounting surfaces and high quality faucets.

These sinks are an economical version of Models WS and HS Sinks.

Options are designed to make the sink suitable for a variety of locations throughout the facility, such as prep areas, administrative, receiving and shipping and public areas.



WALL MODEL CSW - is mounted to wall with screws through rear flanges and offset wall strip.

OPTIONS:

- Splash-mounted gooseneck faucet, with choice of standard or wrist-action handles
- Hands-Free automatic electronic faucet
- Knee-operated, dual-pedal, self-closing valve
- Foot pedal valve
- Combination soap and towel dispenser
- Integrated soap & towel dispenser
- See price list for complete list of options



FLOOR MODEL CSF - is furnished with an additional pedestal base mechanically attached to underside of bowl.

*Price Page 65

Faucets are optional.

Specifications subject to change without notice.



P.O. Box 206
Copiague, NY 11726-0206

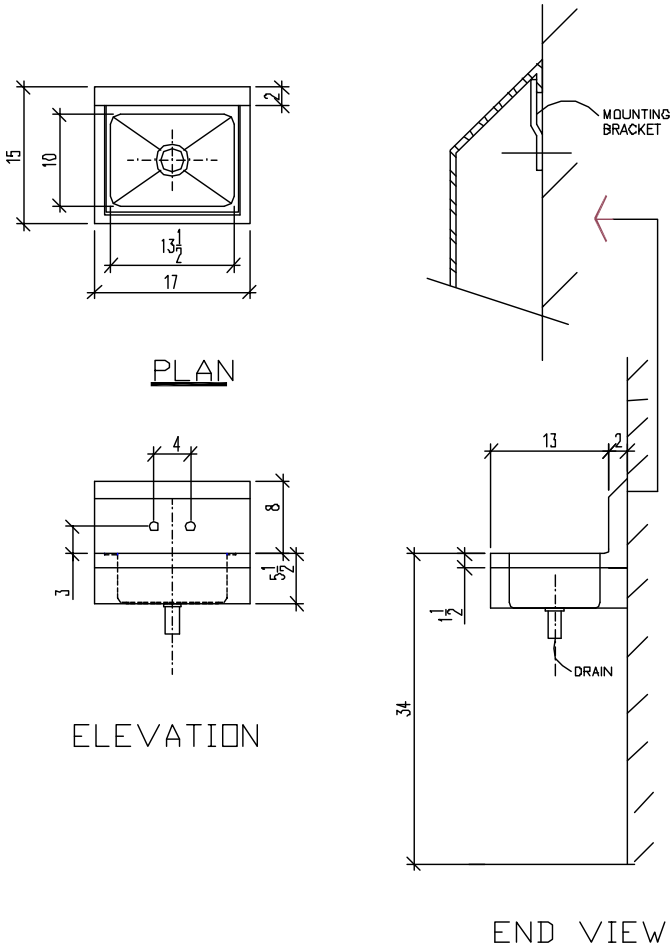
www.imcteddy.com

800-221-5644/631-789-8881
Fax: 631-789-3633

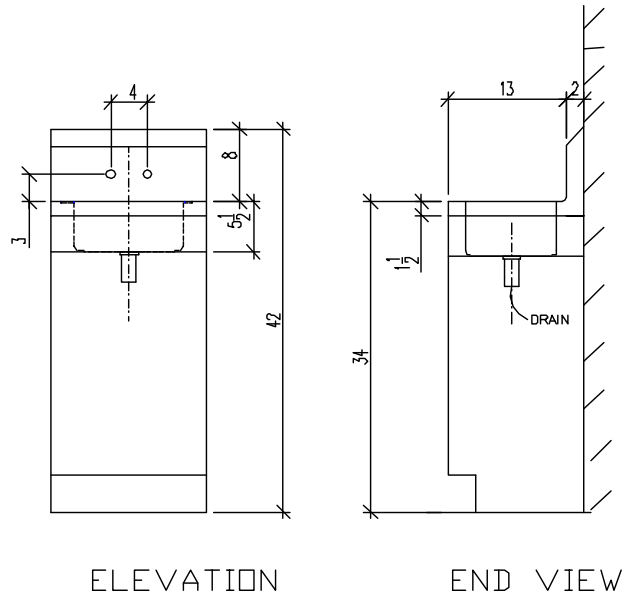
CSW-30 1007
CSB-30 1007
CSF-30 1007

Hand Sink CS Model

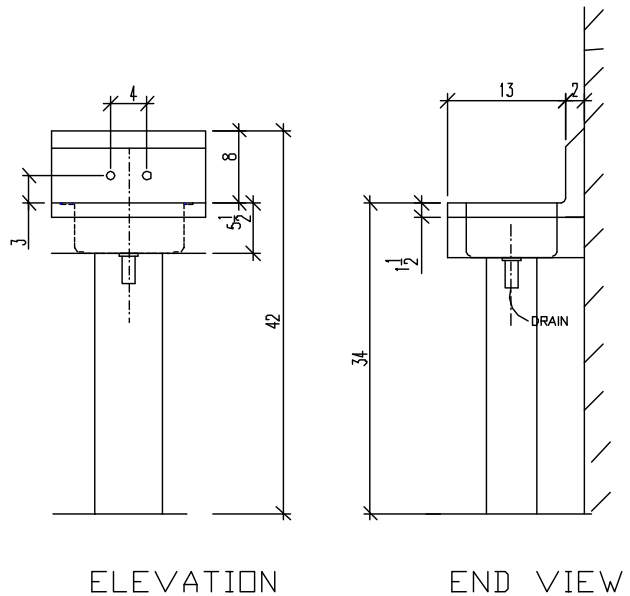
WALL MODEL CSW



FLOOR MODEL CSB



FLOOR MODEL CSF



NOTE: Plumbing Connections by Others.

Faucets are optional.

*See Price book pages 66-67 for options.

Specifications subject to change without notice.



P.O. Box 206
Copliague, NY 11726-0206

800-221-5644/631-789-8881
Fax: 631-789-3633

www.imcteddy.com

CSW-30 1007
CSB-30 1007
CSF-30 1007