

CMS - Combination Hand & Utility Sink

SPECIFICATION:

CMS Model Combination Hand & Utility Sink is constructed of 14 and 18-gauge type #304 stainless steel. The unit is fully welded, ground and polished to a brushed satin finish.

Sink bowl and utility tub is one piece fully covered unit pitched to individual drains. Combination enclosure covers all plumbing connections in one seamless body with non-drip edges at tub and high backsplash at sink. Utility tub is provided with a stainless welded grate constructed from 1" bars and 1/2" rods. A removable side panel allows access to connections and plumbing.

Sink faucet is a dual control single deck type unit, mounted with a swing spout. Tub faucet is a swivel hose pot filler type with vacuum breaker. The unit is mounted on 16GA 1 5/8" legs with adjustable feet.

PRODUCT GUIDE:

Rugged Stainless Steel unit designed for Institutional, Commercial and Industrial applications. Engineered for use in the Kitchen, Janitorial Areas or Liquid Processing Facility for frequent cleaning tasks.

The unit is a combination of IMC/Teddy's rugged wall and utility sinks. Attractively finished for installation in public areas, such as in "open design" establishments.

The upper sink is used for hand-washing and for small tools or accessories. Lower utility/pot sink is used to fill water for use throughout the facility as well as cleaning cans/containers, buckets or ware/utensil containers individually.

OPTIONS:

- Selection of Faucets
- Selection of Soap & Towel Dispensers
- Flanged Feet
- Correctional Package



*Price Page 65

Specifications subject to change without notice.



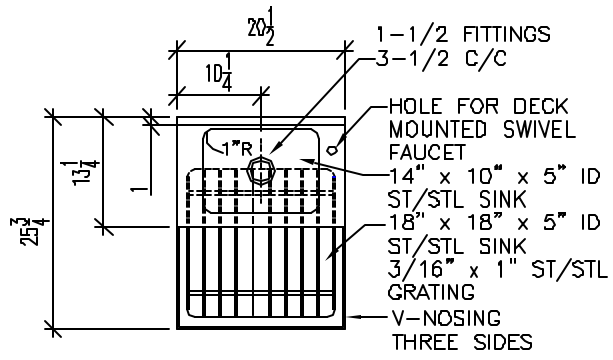
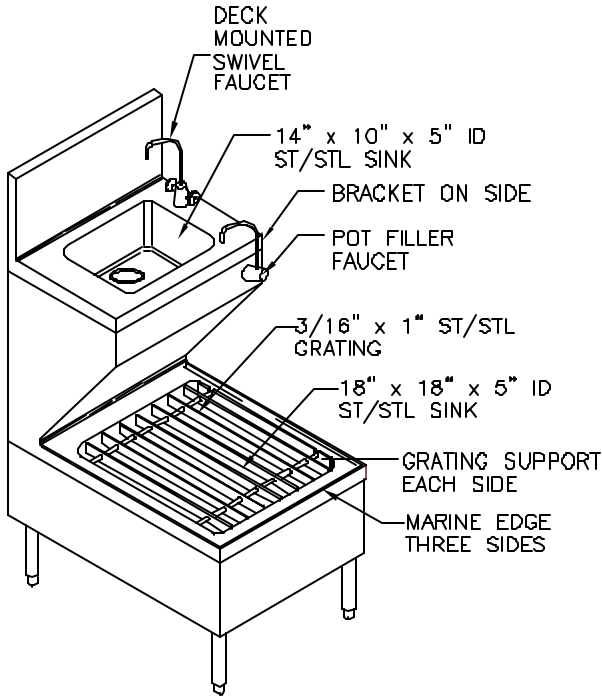
P.O. Box 206
Copiague, NY 11726-0206

800-221-5644/631-789-8881
Fax: 631-789-3633

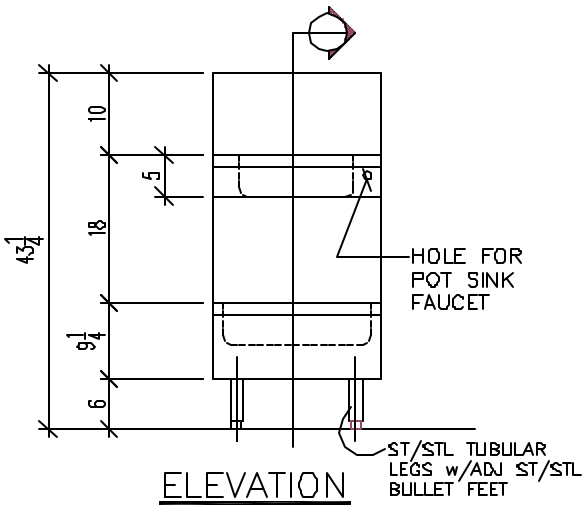
www.imcteddy.com

CMS-30 1007
CMS-SEC-30 1007

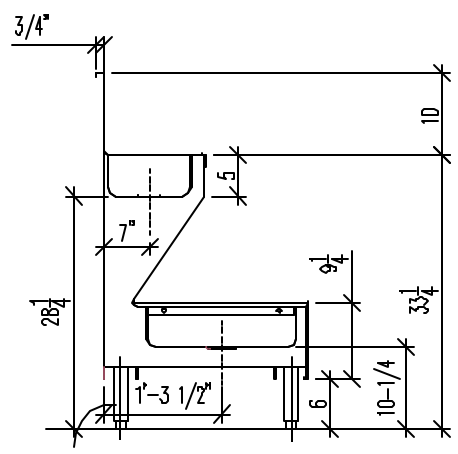
CMS - Combination Hand & Utility Sink



PLAN



ELEVATION



END VIEW

NOTE - Special sizes available on request - consult local representative or factory.

*See Price book pages 66-67 for options.

Specifications subject to change without notice.



P.O. Box 206
Copliague, NY 11726-0206

800-221-5644/631-789-8881
Fax: 631-789-3633

www.imcteddy.com

CMS-30 1007
CMS-SEC-30 1007