

RFDD - Round Floor Drain

SPECIFICATION:

Round Floor Drain is constructed of 14GA stainless steel. 3 1/2" deep with round dome bottom and a 4" O.D. tail piece for complete drainage. Unit has a top flange which tapers 3/8".

Grating is 14GA stainless steel with drainage slots. Custom design slots varies its appearance. Screws hold grating in place.

PRODUCT GUIDE:

IMC Round Floor Drains are designed to provide sanitary carefree use - to permit quick, efficient and thorough cleaning.

Specify this product as an additional or secondary waste for walk-in refrigerators and freezers, roll-in proof boxes and rack ovens, and pot/pan, utility and soak sinks, or behind steamers.

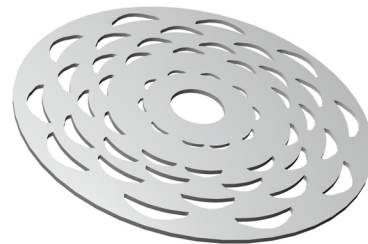
Unit can also be used as an indirect waste or as a sump sink below trough, drain, etc.

Installation is easily accomplished by boring a hole in the floor and connecting to the building waste system. Use a high temperature food-grade sealant to seal the unit. If a more secure installation is desired, specify the Correctional Package with tamper-proof fasteners.

NSF Construction.

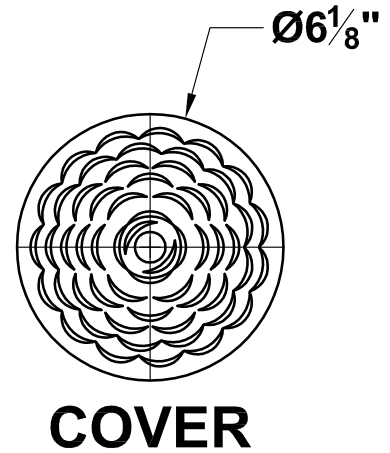
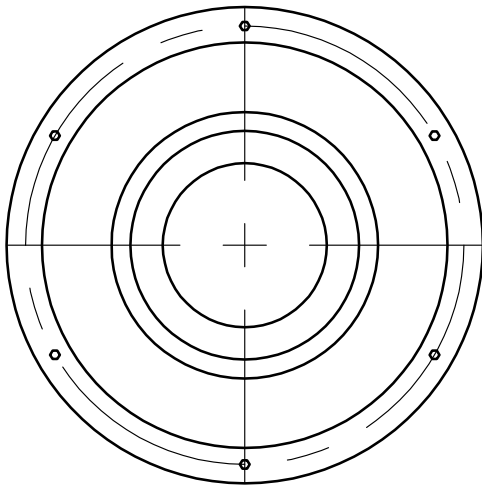
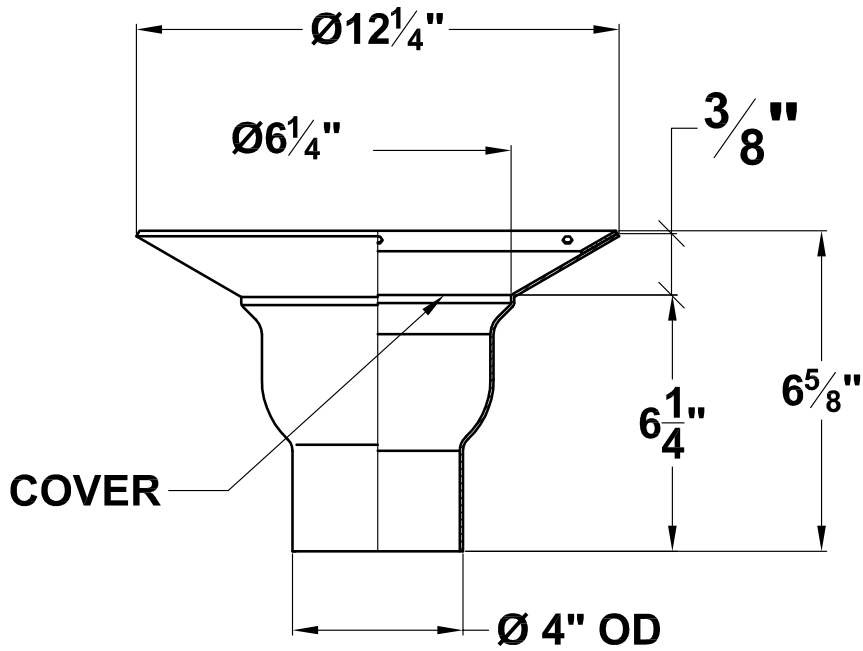
OPTIONS:

- Correctional Design
- Custom Logo in Grating



Specifications subject to change without notice.

RFDD - Round Floor Drain



Specifications subject to change without notice.